

Aluminium Trench Bridge - 1800mm



Item Description:

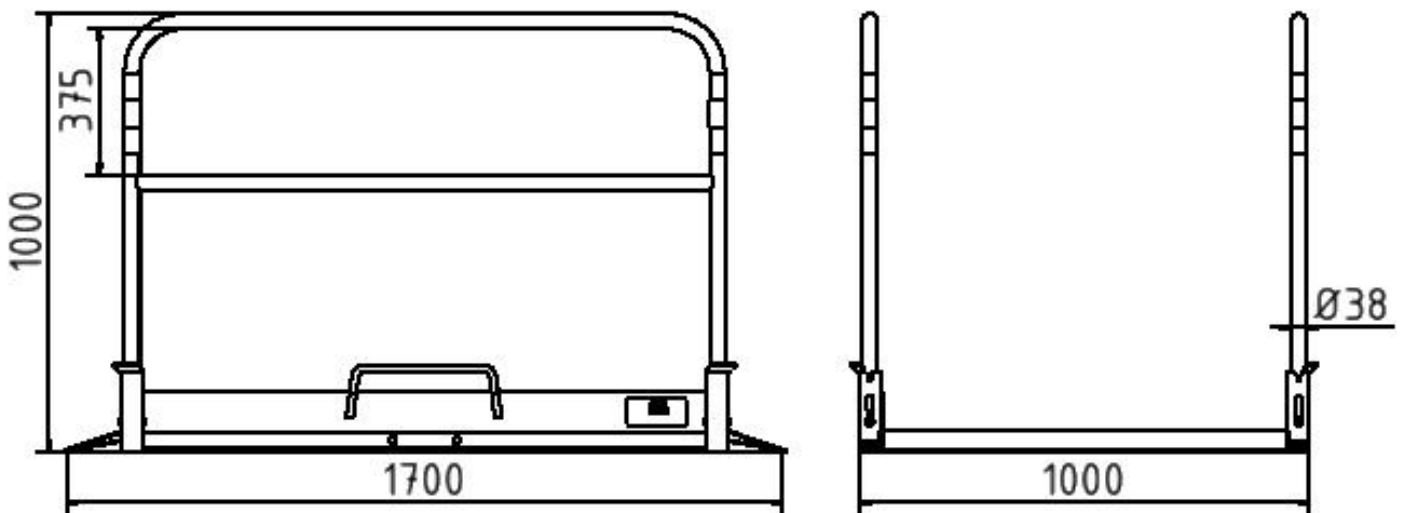
Aluminium trench bridge for safe crossing of ditches and canals, completely made of aluminium, with access ramp for wheelchairs, prams, etc., floor cover of anti-slip aluminium checker plate (3/4 mm) and skirting of square section and firmly bolted to the supporting construction. The side rails are equipped with red-white-red reflecting stripes and can be folded down for space saving transport and storage. Carry handles on both sides allow an ergonomical handling, 4 angles for stacking allow a safe transport and storage, bridges can be saved on ground by ground pegs, load: 200 kg/m², Width: 1.00 m, Length: 1.80 m

Designated Purpose:

For the application for work in infrastructure building

Technical Specifications:

weight: 34,00 kg/pc
material:
aluminum



Aluminium Trench Bridge - 2300mm



Item Description:

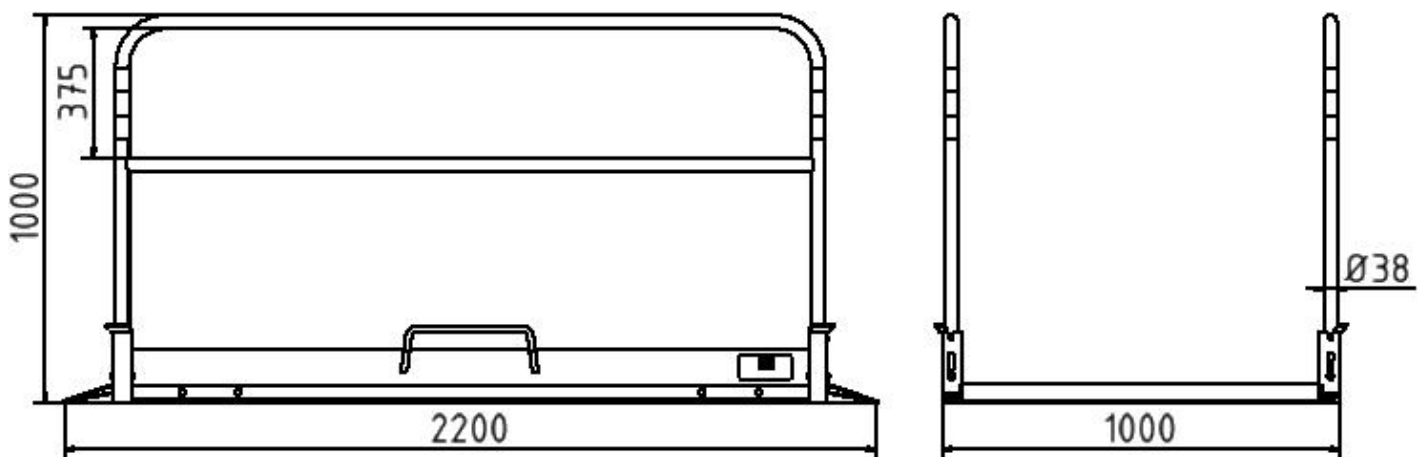
Aluminium trench bridge for safe crossing of ditches and canals, completely made of aluminium, with access ramp for wheelchairs, prams, etc., floor cover of anti-slip aluminium checker plate (3/4 mm) and skirting of square section and firmly bolted to the supporting construction. The side rails are equipped with red-white-red reflecting stripes and can be folded down for space saving transport and storage. Carry handles on both sides allow an ergonomical handling, 4 angles for stacking allow a safe transport and storage, bridges can be saved on ground by ground pegs, load: 200 kg/m², Width: 1.00 m, Length: 2.30 m

Designated Purpose:

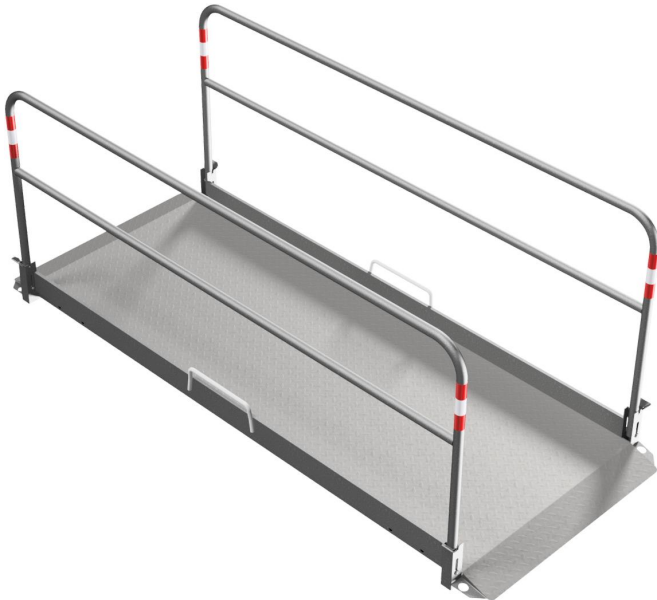
For temporary protecting of areas, e.g. for events.

Technical Specifications:

weight: 42,00 kg
material: aluminium



Aluminium Trench Bridge - 2800mm



Item Description:

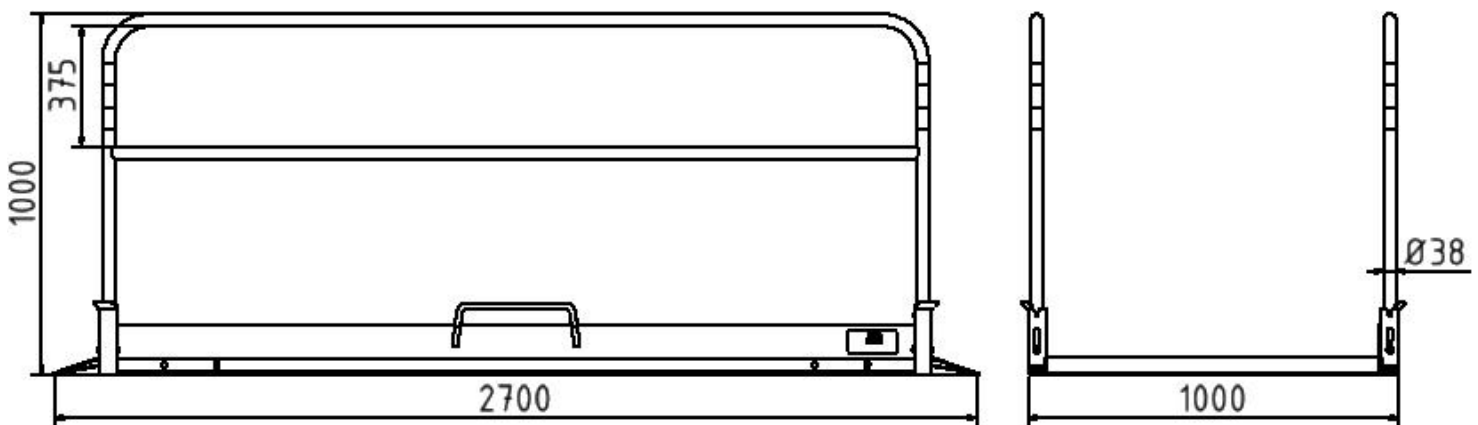
Aluminium trench bridge for safe crossing of ditches and canals, completely made of aluminium, with access ramp for wheelchairs, prams, etc., floor cover of anti-slip aluminium checker plate (3/4 mm) and skirting of square section and firmly bolted to the supporting construction. The side rails are equipped with red-white-red reflecting stripes and can be folded down for space saving transport and storage. Carry handles on both sides allow an ergonomical handling, 4 angles for stacking allow a safe transport and storage, bridges can be saved on ground by ground pegs, load: 200 kg/m², Width: 1.00 m, Length: 2.80 m

Designated Purpose:

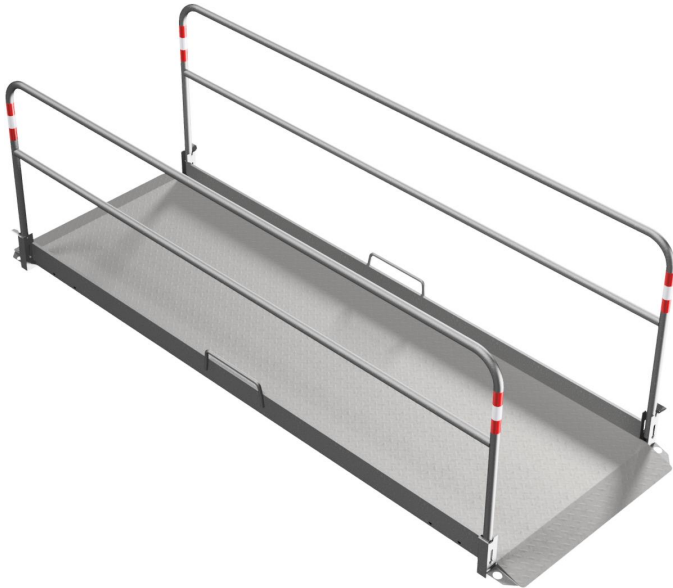
For the application for work in infrastructure building

Technical Specifications:

weight: 51,00 kg
material: aluminium



Aluminium Trench Bridge - 3300mm



Item Description:

Aluminium trench bridge for safe crossing of ditches and canals, completely made of aluminium, with access ramp for wheelchairs, prams, etc., floor cover of anti-slip aluminium checker plate (3/4 mm) and skirting of square section and firmly bolted to the supporting construction. The side rails are equipped with red-white-red reflecting stripes and can be folded down for space saving transport and storage. Carry handles on both sides allow an ergonomical handling, 4 angles for stacking allow a safe transport and storage, bridges can be saved on ground by ground pegs, load: 200 kg/m², Width: 1.00 m, Length: 3.30 m

Designated Purpose:

For the application for work in infrastructure building

Technical Specifications:

weight: 59,00 kg/pc
material:
aluminium

