



# fittingstor<sup>™</sup>

**Product code: FC2**

- » Secure cabinet designed for storing fittings and materials.
- » Complete with two removable shelves and six individual storage bins.
- » Heavy-duty doors with anti-jemmy protection.



## Product features



2x 5-lever  
deadlock



Forklift skids

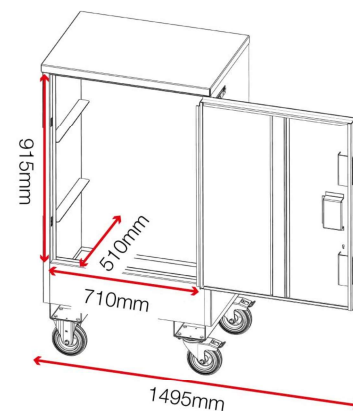
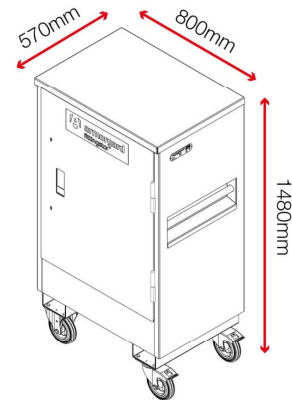


Suitable for site

## Product specifications

Weight	89kg
Colour	Black grey: RAL 7021
Suitable for	Site
Finished coating	Powder coated
Material & thickness	1.6mm and 2mm steel
Quantity of keys	3 keys
Suitable for vehicle mounting	No
How are castors fitted?	Quick-fix bolt on castor kit
Other sizes available	4 other sizes
Qty of shelves as standard	2

## Dimensions



## Optional extras - Contact Armorgard to find out more



Fittings bins FCB



FittingStor shelf FC-S



# fittingstor™

**Product code: FC3**

- » Secure cabinet designed for storing fittings and materials.
- » Complete with three removable shelves with welded compartments.
- » Heavy-duty doors with anti-jemmy protection.

## Product features



2x 5-lever  
deadlock



Forklift skids

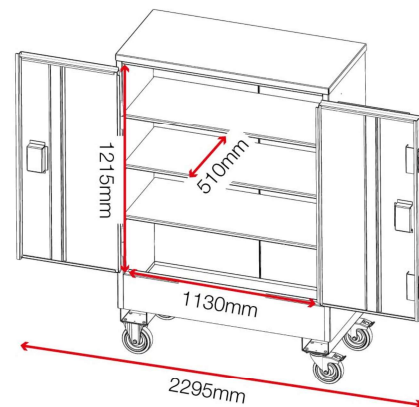
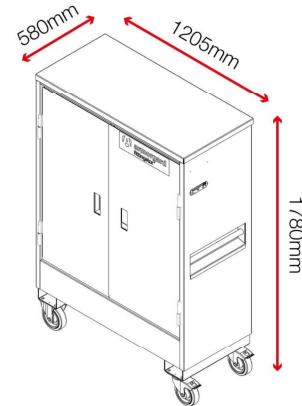


Suitable for site

## Product specifications

Weight	139kg
Colour	Black grey: RAL 7021
Suitable for	Site
Finished coating	Powder coated
Material & thickness	1.6mm and 2mm steel
Quantity of keys	3 keys
Suitable for vehicle mounting	No
How are castors fitted?	Quick-fix bolt on castor kit
Other sizes available	4 other sizes
Qty of shelves as standard	3

## Dimensions



## Optional extras - Contact Armorgard to find out more



Fittings bins FCB



FittingStor shelf FC-S



# fittingstor™

Product code: FC4

- » Secure cabinet designed for storing fittings and materials.
- » Features 3 removeable shelves with adjustable dividers.
- » Storage compartment in the base for larger tools and equipment.



Watch the FittingStor in action

## Product features



2x 5-lever  
deadlock



Standard 6"  
castors



Forklift skids



Up to 4 shelves



Suitable for site

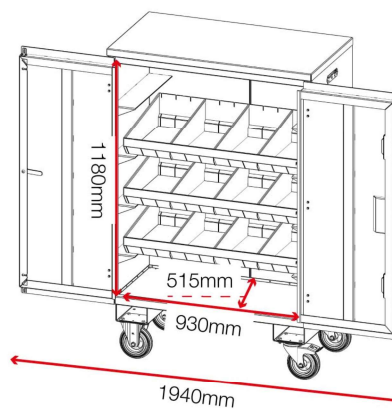
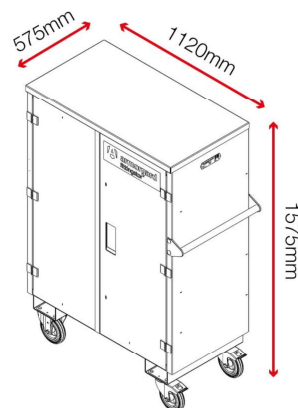


Built in handles

## Product specifications

Weight	125kg
Colour	Black grey: RAL 7021
Suitable for	Site
Finished coating	Powder coated
Material & thickness	1.5mm and 2.5mm steel
Quantity of keys	3 keys
Suitable for vehicle mounting	No
How are castors fitted?	Quick-fix bolt on castor kit
Other sizes available	4 other sizes
Qty of shelves as standard	3

## Dimensions



## Optional extras - Contact Armorgard to find out more



Fittings bins FCB



FittingStor shelf FC-S



# fittingstor™

Product code: FC5

- » Secure cabinet designed for storing fittings and materials.
- » Bi-fold design for space efficiencies.
- » Powder coated finish for maximum durability.



Watch the FittingStor in action

## Product features



Padlock secured



Standard 6" castors



Forklift skids



Suitable for site

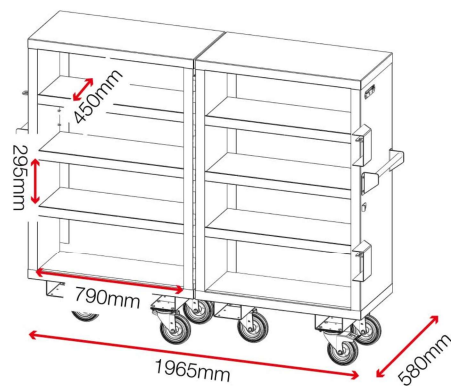
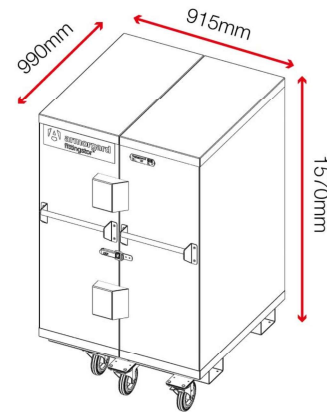


Built in handles

## Product specifications

Weight	160kg
Colour	Black grey: RAL 7021, Traffic red: RAL 3020
Suitable for	Site
Finished coating	Powder coated
Material & thickness	1.5mm and 2mm steel
Quantity of keys	3 keys
Suitable for vehicle mounting	No
How are castors fitted?	Quick-fix bolt on castor kit
Other sizes available	4 other sizes
Qty of shelves as standard	6 welded shelves

## Dimensions



## Optional extras - Contact Armorgard to find out more



Fittings bins FCB



# fittingstor™

Product code: FC6

- » Secure cabinet ideal for storing fixtures and fittings.
- » Perforated design for easy identification of contents.
- » Strong ergonomic handle making it easy to move.



Watch the FittingStor in action

## Product features



2x 5-lever deadlock



Heavy-duty 6" castors



Forklift skids



Suitable for site

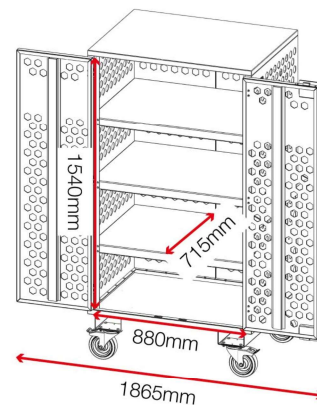
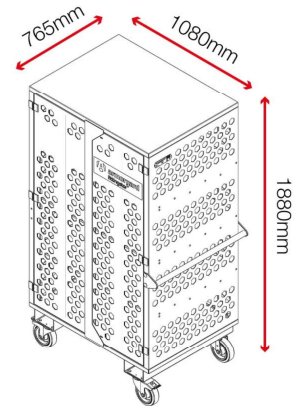


Built in handles

## Product specifications

Weight	113kg
Colour	Black grey: RAL 7021
Suitable for	Site
Finished coating	Powder coated
Material & thickness	1mm and 2mm steel
Quantity of keys	3 keys
Suitable for vehicle mounting	No
How are castors fitted?	Quick-fix bolt on castor kit
Other sizes available	4 other sizes
Qty of shelves as standard	3 fixed shelves

## Dimensions



## Optional extras - Contact Armorgard to find out more



Fittings bins FCB