



# tuffbank<sup>™</sup>

**Product code: TB1**

- » Our best-selling range of secure tool and equipment storage.
- » TuffBanks adhere to rigorous test standards required by the police.
- » Unique external and internal anti-jimmy systems for added security.



**Watch the TuffBank in action**



## Product features



5-lever deadlock



Gas strut (300N)



SlamStop lid stay



No detachable parts

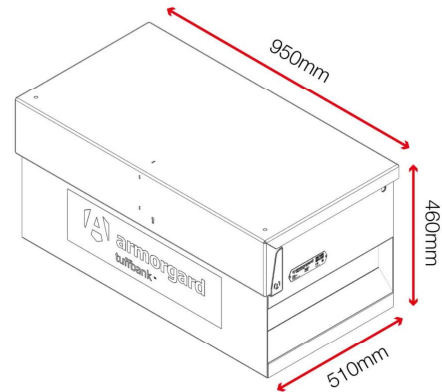


Suitable for vehicles

## Product specifications

Weight	50kg
Colour	Black grey: RAL 7021
Suitable for	Vehicle
Finished coating	Powder coated
Material & thickness	2mm and 3mm steel
Quantity of keys	2 keys
Suitable for vehicle mounting	Yes
How are castors fitted?	Not applicable
Other sizes available	7 other sizes
Qty of shelves as standard	No

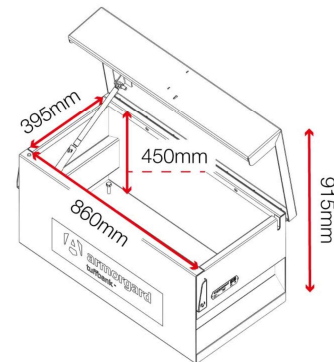
## Dimensions



## Optional extras - Contact Armorgard to find out more



Castor kit 80mm CAS80-SS-SB





# tuffbank™

Product code: TB12

- » Our best-selling range of secure tool and equipment storage.
- » TuffBanks adhere to rigorous test standards required by the police.
- » Unique external and internal anti-jimmy systems for added security.



Watch the TuffBank in action



## Product features



2x 5-lever deadlock



Gas strut (300N)



SlamStop lid stay



Forklift skids



No detachable parts

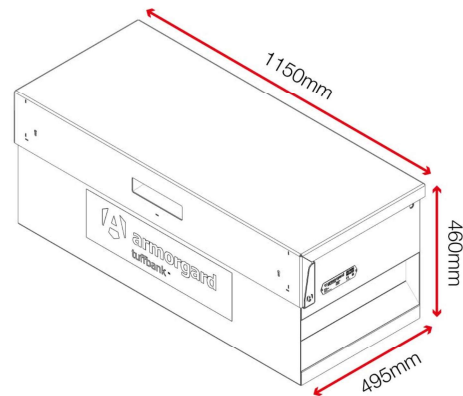


Suitable for vehicles

## Product specifications

Weight	58kg
Colour	Black grey: RAL 7021
Suitable for	Vehicle
Finished coating	Powder coated
Material & thickness	2mm and 3mm steel
Quantity of keys	3 keys
Suitable for vehicle mounting	Yes
How are castors fitted?	Not applicable
Other sizes available	7 other sizes
Qty of shelves as standard	No

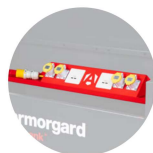
## Dimensions



## Optional extras - Contact Armorgard to find out more



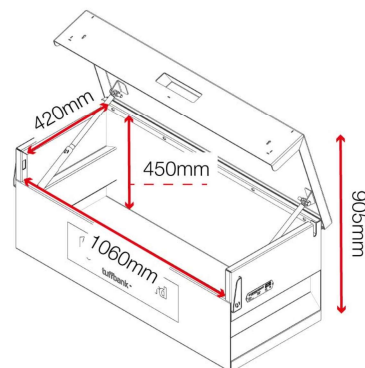
Shelf SHE-4



PowerShelf SHE-P4-110



Castor kit 80mm CAS80-SS-SB





# tuffbank™

Product code: TB21

- » Our best-selling range of secure tool and equipment storage.
- » TuffBanks adhere to rigorous test standards required by the police.
- » Unique external and internal anti-jimmy systems for added security.



Watch the TuffBank in action



## Product features



2x 5-lever deadlock



Gas strut (300N)



SlamStop lid stay



Forklift skids



No detachable parts

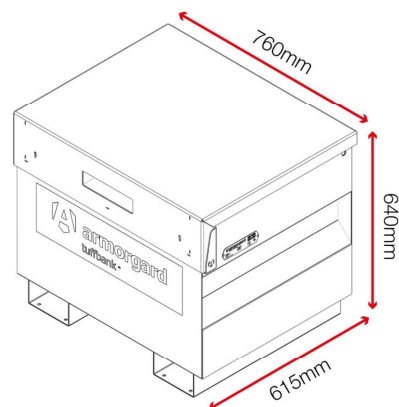


Suitable for site

## Product specifications

Weight	60kg
Colour	Black grey: RAL 7021
Suitable for	Site
Finished coating	Powder coated
Material & thickness	2mm and 3mm steel
Quantity of keys	3 keys
Suitable for vehicle mounting	Yes
How are castors fitted?	Castor plates
Other sizes available	7 other sizes
Qty of shelves as standard	No

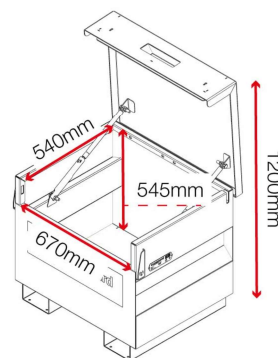
## Dimensions



## Optional extras - Contact Armorgard to find out more



Castor kit CAS160-KS-FX-SB-CP





# tuffbank™

Product code: TB2

- » Our best-selling range of secure tool and equipment storage.
- » TuffBanks adhere to rigorous test standards required by the police.
- » Unique external and internal anti-jimmy systems for added security.



Watch the TuffBank in action

## Product features



2x 5-lever deadlock



Gas strut (300N)



SlamStop lid stay



Forklift skids



No detachable parts

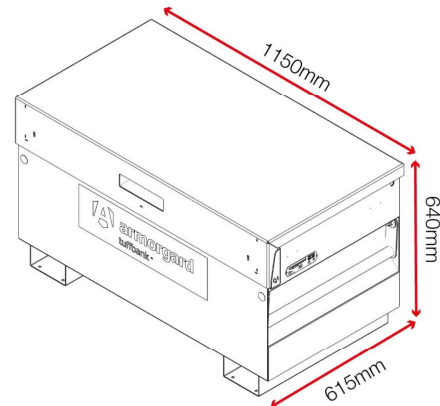


Suitable for site

## Product specifications

Weight	80kg
Colour	Black grey: RAL 7021, Traffic red: RAL 3020
Suitable for	Site
Finished coating	Powder coated
Material & thickness	2mm and 3mm steel
Quantity of keys	3 keys
Suitable for vehicle mounting	Yes
How are castors fitted?	Castor plates
Other sizes available	7 other sizes
Qty of shelves as standard	No

## Dimensions



## Optional extras - Contact Armorgard to find out more



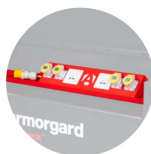
Crane lifting eyes CLEK



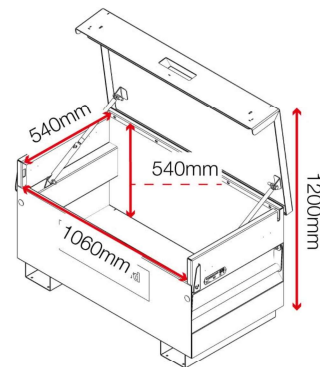
Castor kit CAS160-KS-FX-SB-CP



Shelf SHE-4



PowerShelf SHE-P4-110





# tuffbank™

**Product code: TB3**

- » Our best-selling range of secure tool and equipment storage.
- » TuffBanks adhere to rigorous test standards required by the police.
- » Unique external and internal anti-jimmy systems for added security.



**Watch the TuffBank in action**



## Product features



2x 5-lever deadlock



Gas strut (300N)



SlamStop lid stay



Forklift skids



No detachable parts

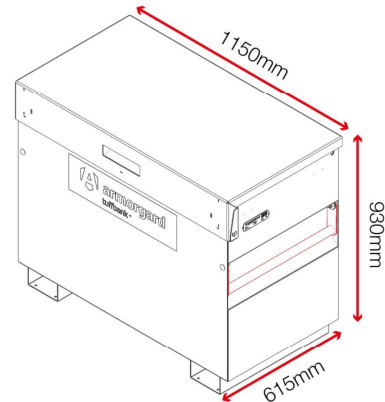


Suitable for site

## Product specifications

Weight	97kg
Colour	Black grey: RAL 7021, Traffic red: RAL 3020
Suitable for	Site
Finished coating	Powder coated
Material & thickness	2mm and 3mm steel
Quantity of keys	3 keys
Suitable for vehicle mounting	No
How are castors fitted?	Castor plates
Other sizes available	7 other sizes
Qty of shelves as standard	No

## Dimensions



## Optional extras - Contact Armorgard to find out more



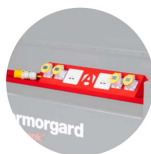
Crane lifting eyes CLEK



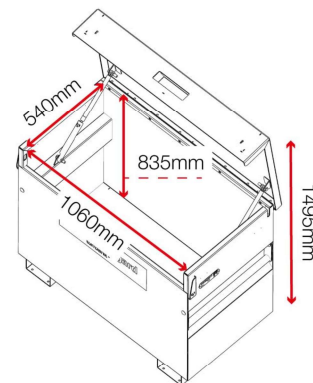
Castor kit CAS160-KS-FX-SB-CP



Shelf SHE-4



PowerShelf SHE-P4-110





# tuffbank™

Product code: TBC4

- » Our best-selling range of secure tool and equipment storage.
- » TuffBanks adhere to rigorous test standards required by the police.
- » Unique external and internal anti-jimmy systems for added security.



Watch the TuffBank in action



## Product features



2x 5-lever deadlock



Gas strut (1000N)



SlamStop lid stay



Forklift skids



No detachable parts

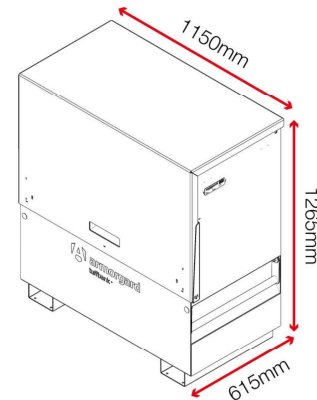


Suitable for site

## Product specifications

Weight	127kg
Colour	Black grey: RAL 7021, Traffic red: RAL 3020
Suitable for	Site
Finished coating	Powder coated
Material & thickness	2mm and 3mm steel
Quantity of keys	3 keys
Suitable for vehicle mounting	No
How are castors fitted?	Castor plates
Other sizes available	7 other sizes
Qty of shelves as standard	No

## Dimensions



## Optional extras - Contact Armorgard to find out more



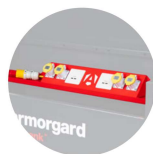
Crane lifting eyes CLEK



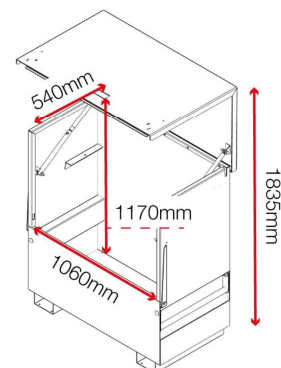
Castor kit CAS160-KS-FX-SB-CP



Shelf SHE-D4



PowerShelf SHE-DP4-110





# tuffbank™

**Product code: TBC5**

- » Sold Secure and Secured by Design accreditation: TuffBanks.
- » Unique internal anti-jemmy system helps prevent the lid from being.
- » Up to 2 shelves can be added for better organisation of contents.



Watch the TuffBank in action



## Product features



2x 5-lever deadlock



Gas strut (1000N)



SlamStop lid stay



Forklift skids



No detachable parts

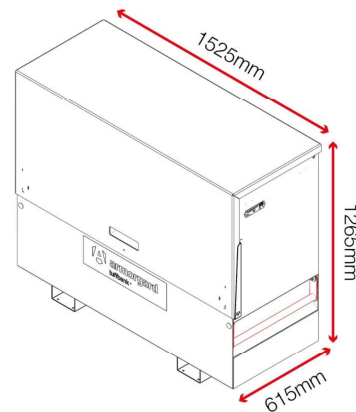


Suitable for site

## Product specifications

Weight	153kg
Colour	Black grey: RAL 7021, Traffic red: RAL 3020
Suitable for	Site
Finished coating	Powder coated
Material & thickness	2mm and 3mm steel
Quantity of keys	3 keys
Suitable for vehicle mounting	No
How are castors fitted?	Castor plates
Other sizes available	7 other sizes
Qty of shelves as standard	No

## Dimensions



## Optional extras - Contact Armorgard to find out more



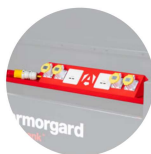
Crane lifting eyes CLEK



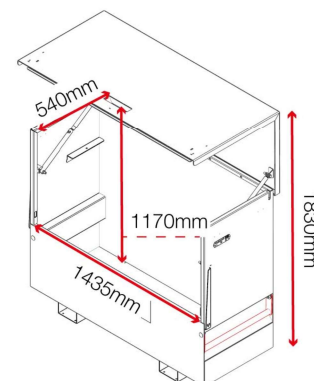
Castor kit CAS160-KS-FX-SB-CP



Shelf SHE-D5



PowerShelf SHE-DP5-110





# tuffbank™

Product code: TB6

- » Sold Secure and Secured by Design accreditation: TuffBanks.
- » Unique internal anti-jemmy system helps prevent the lid from being.
- » Cable pass-through for secure tool charging.



Watch the TuffBank in action



## Product features



2x 5-lever deadlock



Gas strut (450N)



SlamStop lid stay



Forklift skids



No detachable parts

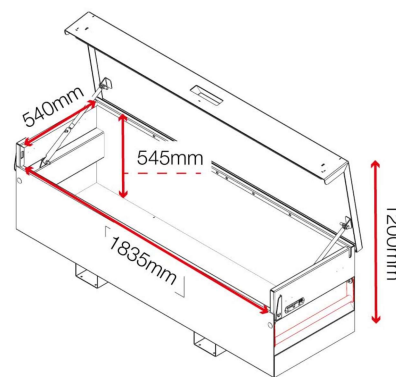
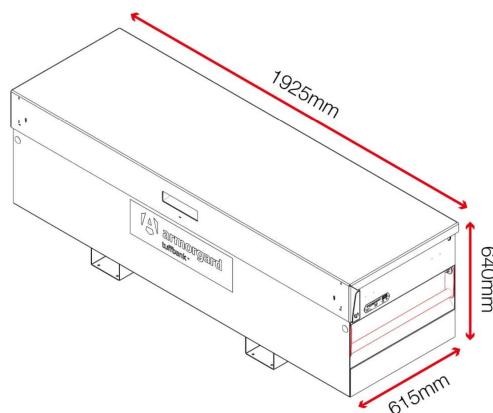


Suitable for vehicles

## Product specifications

Weight	119kg
Colour	Black grey: RAL 7021, Traffic red: RAL 3020
Suitable for	Vehicle
Finished coating	Powder coated
Material & thickness	2mm and 3mm steel
Quantity of keys	3 keys
Suitable for vehicle mounting	Yes
How are castors fitted?	Castor plates
Other sizes available	7 other sizes
Qty of shelves as standard	No

## Dimensions



## Optional extras - Contact Armorgard to find out more



Crane lifting eyes CLEK



Castor kit CAS160-KS-FX-SB-CP