



**TRAFFIC-LINE  
Steel Hoop Guards**

Protect and segregate pedestrians, machinery and other zones from works vehicles etc.

Manufactured from 48 mm Ø high quality steel tube with additional knee-bar for additional strength and rigidity, and finished in eye catching black/yellow powder coating.

**Finish :**

For Outdoor use: Hot dip galvanised and powder coated yellow with black bands.

For Indoor use: Powder coated yellow with black bands.

**Diameter:**

48 mm Ø x 2 mm wall thickness.

**Mounting options:**

For surface fixing:

Base plate: 160 x 70 x 10 mm

For wall fixing (permanent):

2 x mounting plates with pre-drilled fixing holes.

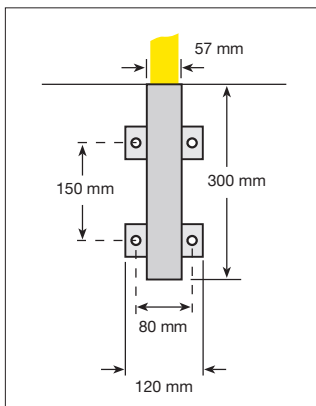
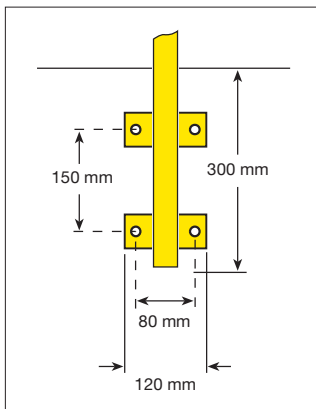
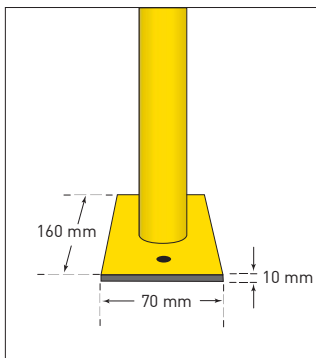
For root fixing:

As per the details for permanent wall mounting, utilising welded mounting plates as ground anchors.

For wall fixing (removable):

2 x sockets with mounting plates pre-drilled fixing holes.





Descripton	Height/length (mm)	Finish	Delivery weight (kg/ea.)	Reference
<b>Floor mounting</b> With mounting plates 160 x 70 x 10 mm Yellow with black bands	1,000 x 1,000	Powder coated	10	201.14.228
		Hot dip galvanised and Powder coated		201.15.512
	1,000 x 1,500	Powder coated	12.5	201.15.794
		Hot dip galvanised and Powder coated		201.17.982
1,000 x 2,000	Powder coated	15	201.14.465	
	Hot dip galvanised and Powder coated		201.13.553	
Through bolt anchor (4 per bollard)			0.3	109.24.665
Surface fixing bolt S12 8/100 (4 per guard)			0.2	109.17.393
<b>Wall or root fixing</b> Yellow with black bands	1,300 x 1,000	Powder coated	10.5	201.23.846
		Hot dip galvanised and Powder coated		201.23.287
	1,300 x 1,500	Powder coated	13	201.21.475
		Hot dip galvanised and Powder coated		201.27.174
	1,300 x 2,000	Powder coated	15.5	201.20.276
		Hot dip galvanised and Powder coated		201.24.456
Through bolt anchor (4 per bollard)			0.3	109.24.665
Surface fixing bolt S12 8/100 (4 per guard)			0.2	109.17.393
<b>Wall or root fixing (Removable)</b> Yellow with black bands	1,300 x 1,000	Powder coated	10.5	201.25.003
		Hot dip galvanised and Powder coated		201.20.059
	1,300 x 1,500	Powder coated	13	201.22.243
		Hot dip galvanised and Powder coated		201.27.829
	1,300 x 2,000	Powder coated	15.5	201.21.658
		Hot dip galvanised and Powder coated		201.21.335
Wall socket (2 per guard) 120 W x 300 H		Hot dip galvanised	2.5	201.27.454
Through bolt anchor (4 per bollard)			0.3	109.24.665
Surface fixing bolt S12 8/100 (4 per guard)			0.2	109.17.393