

TECHNICAL SPECIFICATIONS

Capacity: 60 litres.

Maximum dimensions: Ø540 x H 944 mm.

Litter bin and base in steel.

Internal bucket fitted with two Ø5 mm handles with locking mechanism using triangle key.

Steel painted with zinc primer, finished in our RAL colours.

Self-adhesive pictogram supplied.

Base fitted with an internal cross piece for easy ground fixing.



PAINT FINISH



Procity
Grey



RAL 9010



RAL 5010



RAL 3020



RAL 9005



RAL 7044



RAL 3004



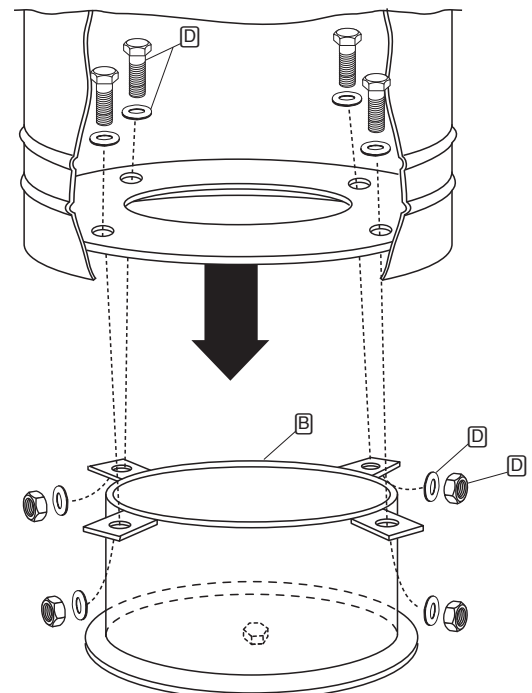
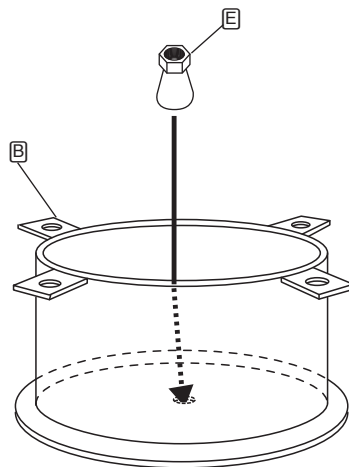
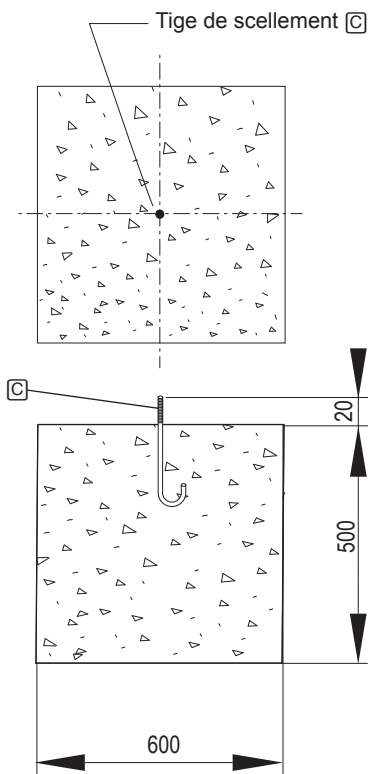
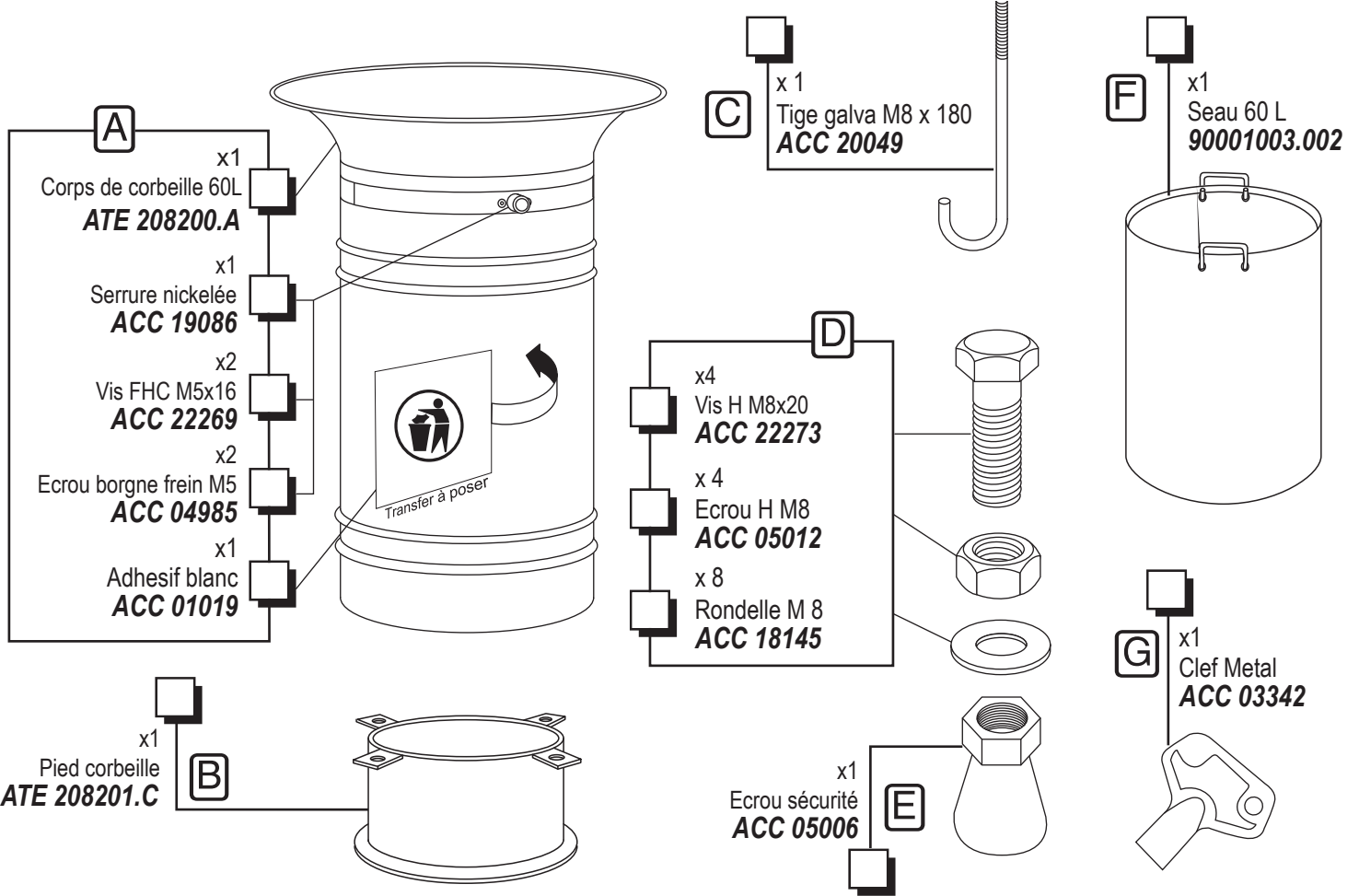
RAL 6005



RAL 8017



Corten
effect



CORBEILLE CEVENNES Pied cylindrique 60 Litres Vigipirate - Réf. 208199

