

TECHNICAL SPECIFICATIONS

Total length: 2000 mm & seat length: 1840 mm.

40 x 40 mm steel tubing.

Perforated 2mm sheet steel seat and backrest.

Steel painted with zinc primer, finished in our RAL colours.

To be concreted directly into the ground.



PAINT FINISH



Procity Grey



RAL 9010



RAL 5010



RAL 3020



RAL 9005



RAL 7044



RAL 3004



RAL 6005

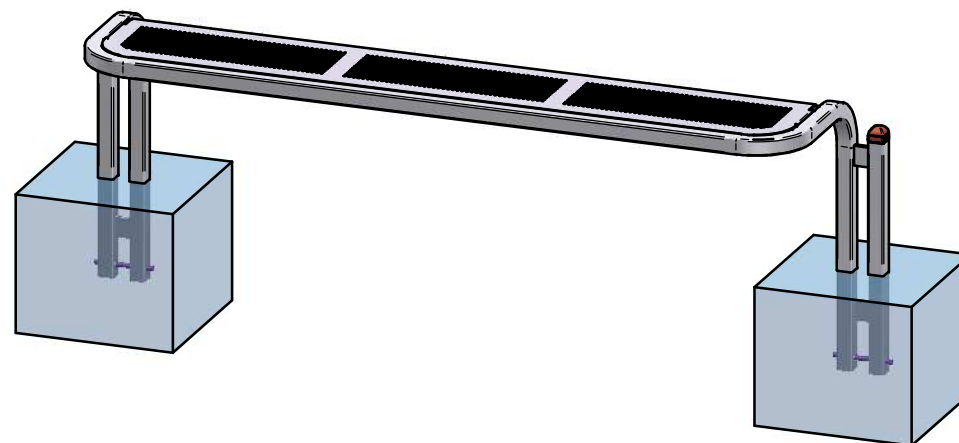
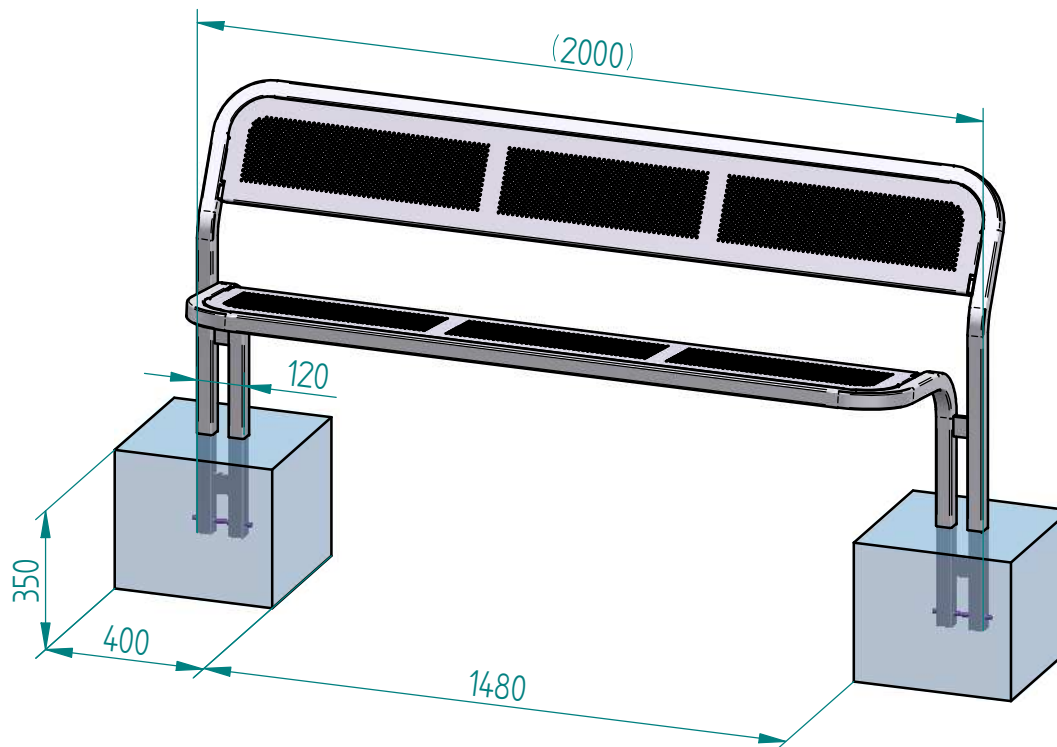
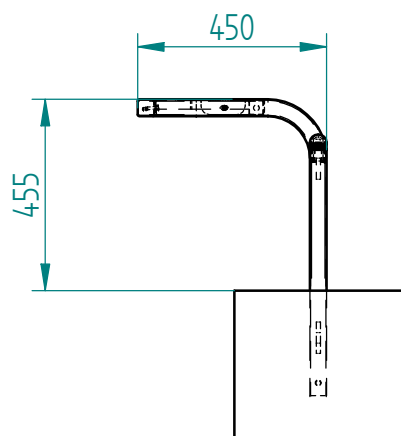
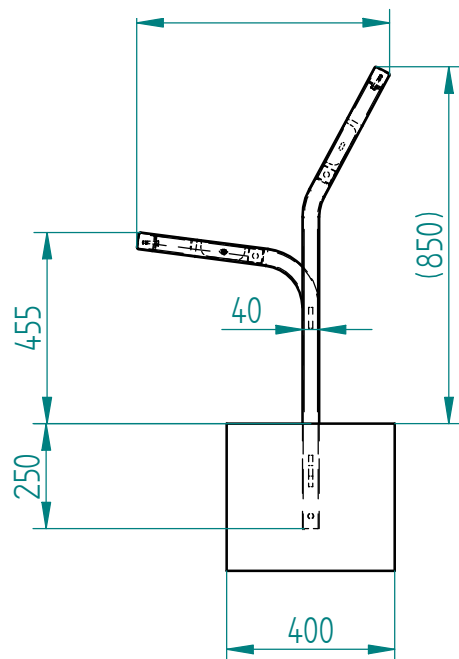


RAL 8017



Corten effect

pittman®



D 701 Banc et Banquette CONVIVIALE -

- Version 01 - 19/07/2010 - Page 1 / 1 - N°

422-V1