

## Product Specification Sheet

Product name: Economy Steel Wheel Stops – 2500 x 170mm

Product code

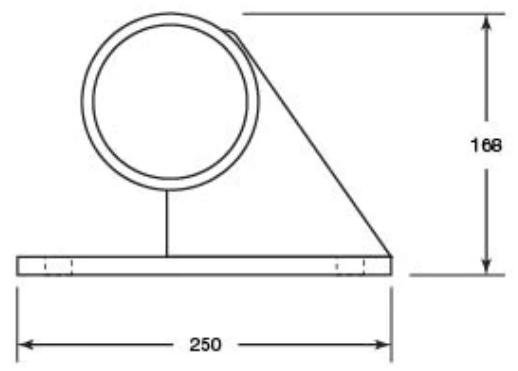
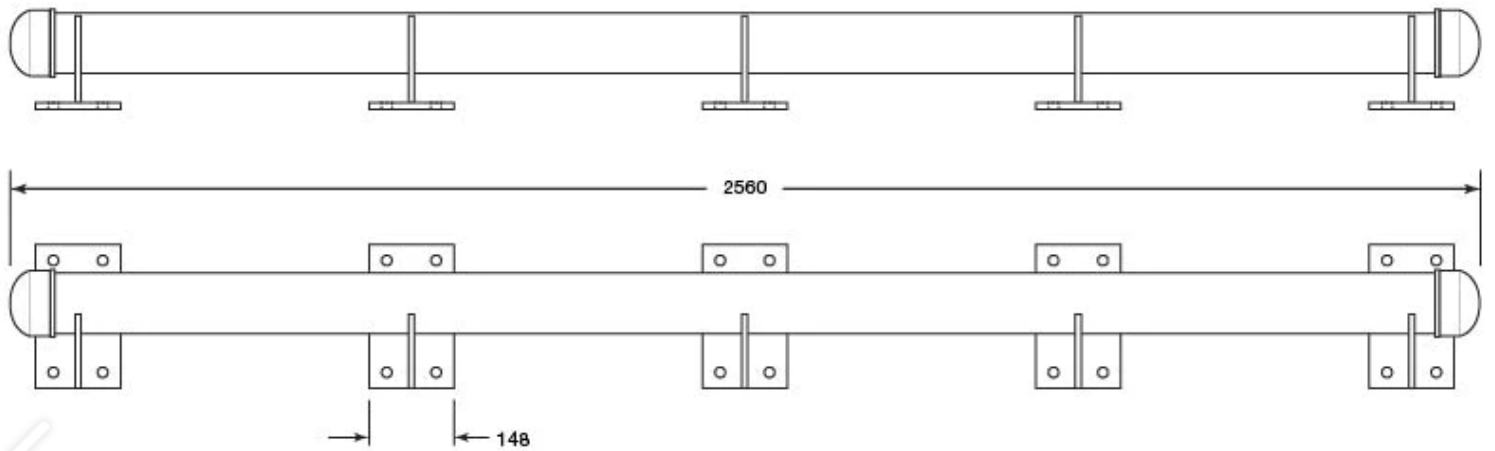
756561



Brand	
Warranty	1 Year manufacturer's warranty
Material	Galvanised steel
Components	4 Pre-drilled holes in each plate with M16 fixings
Dimensions	2500(L) x 170(H) x 250 (W)mm Ø 100mm tube
Weight	53kg total
Features	5 Fixing Plates: 4 x 16mm Diameter Holes Galvanised to reduce risk of rusting Powder-coated yellow for increase visibility Single piece design for easy installation Suitable for LGVs and vans
Fixings	M16 x 125mm bolts required - order separately

**Ireland:**  
B2 Athy Business Campus  
Athy, Co. Kildare R14 PK74  
Ph: 01 531 2777  
Email: [sales@pittman.ie](mailto:sales@pittman.ie)

**United Kingdom:**  
1310 Solihull Parkway, Birmingham Business Park  
Birmingham B37 7YB  
Ph: 0121 630 3527  
[sales@pittman.uk](mailto:sales@pittman.uk)



Name	Kerb
SKU	A268
Materials	Steel Kerb, Rubber End caps
Weight (kg)	53



**Ireland:**  
 B2 Athy Business Campus  
 Athy, Co. Kildare R14 PK74  
 Ph: 01 531 2777  
 Email: [sales@pittman.ie](mailto:sales@pittman.ie)

**United Kingdom:**  
 1310 Solihull Parkway, Birmingham Business Park  
 Birmingham B37 7YB  
 Ph: 0121 630 3527  
[sales@pittman.uk](mailto:sales@pittman.uk)