

Product Specification Sheet

Product name – **HD Removable Steel Bollard**

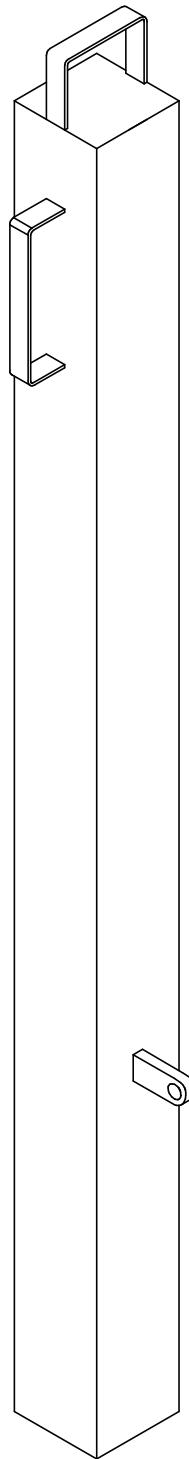


| | |
|----------------------|--|
| Manufacturer / Brand | Pittman |
| Warranty | 1 year manufacturer's warranty |
| Material | Hot-dip galvanised steel with powder coated finish |
| Components | Bollard with handles Ground socket with cover |
| Dimensions | Bollard: 1305(h) x 90(w) x 90(d)mm Ground Socket: 250(h) x 100(w) x 100(d)mm |
| Features | 1000mm above ground after install Easy to lift out when required Made from tough hot-dip galvanised steel Locked easily with padlock (not included) Powder coated anthracite grey Easy lift handles on top and one side Optional reflective strip as extra |

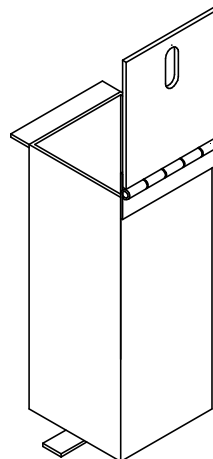
Ireland:
B2 Athy Business Campus
Athy, Co. Kildare R14 PK74
Ph: 01 531 2777
Email: sales@pittman.ie

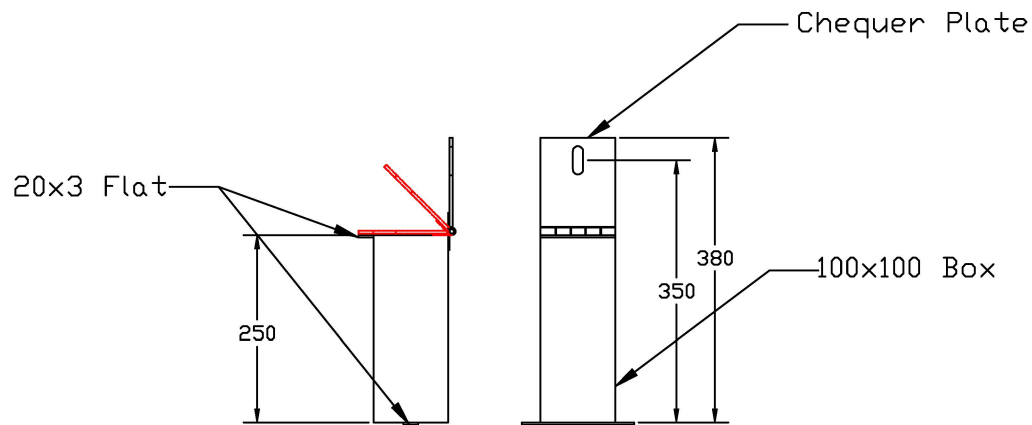
United Kingdom:
1310 Solihull Parkway, Birmingham Business Park
Birmingham B37 7YB
Ph: 0121 630 3527
sales@pittman.uk

HD BOLLARD

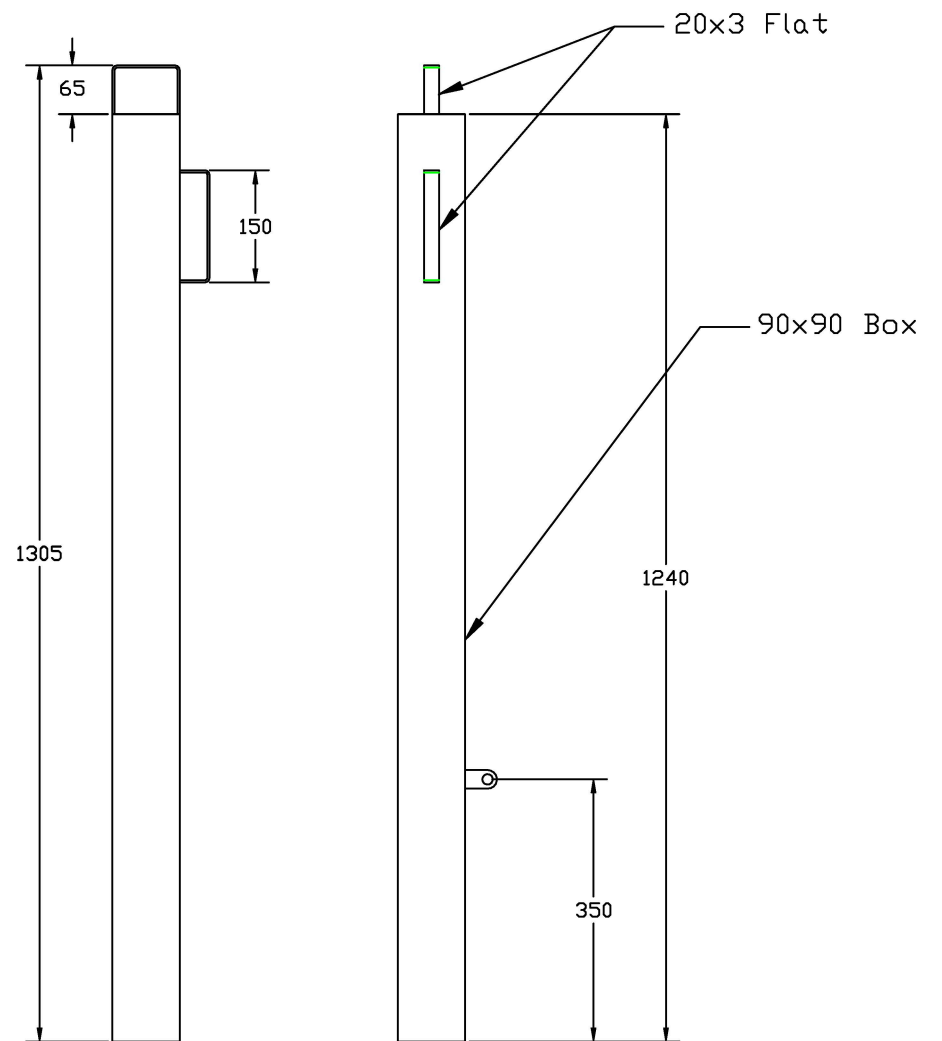


SOCKET





SOCKET



HD BOLLARD