



Product Specification Sheet

Product name – Mespil Bollards – Concrete In

Product code

748389 – Mespil No. 1 Bollard

748390 – Mespil No. 3 Bollard

750486 – Mespil No. 5 Bollard



Ireland:

B2 Athy Business Campus
Athy, Co. Kildare R14 PK74
Ph: 01 531 2777
Email: sales@pittman.ie

United Kingdom:

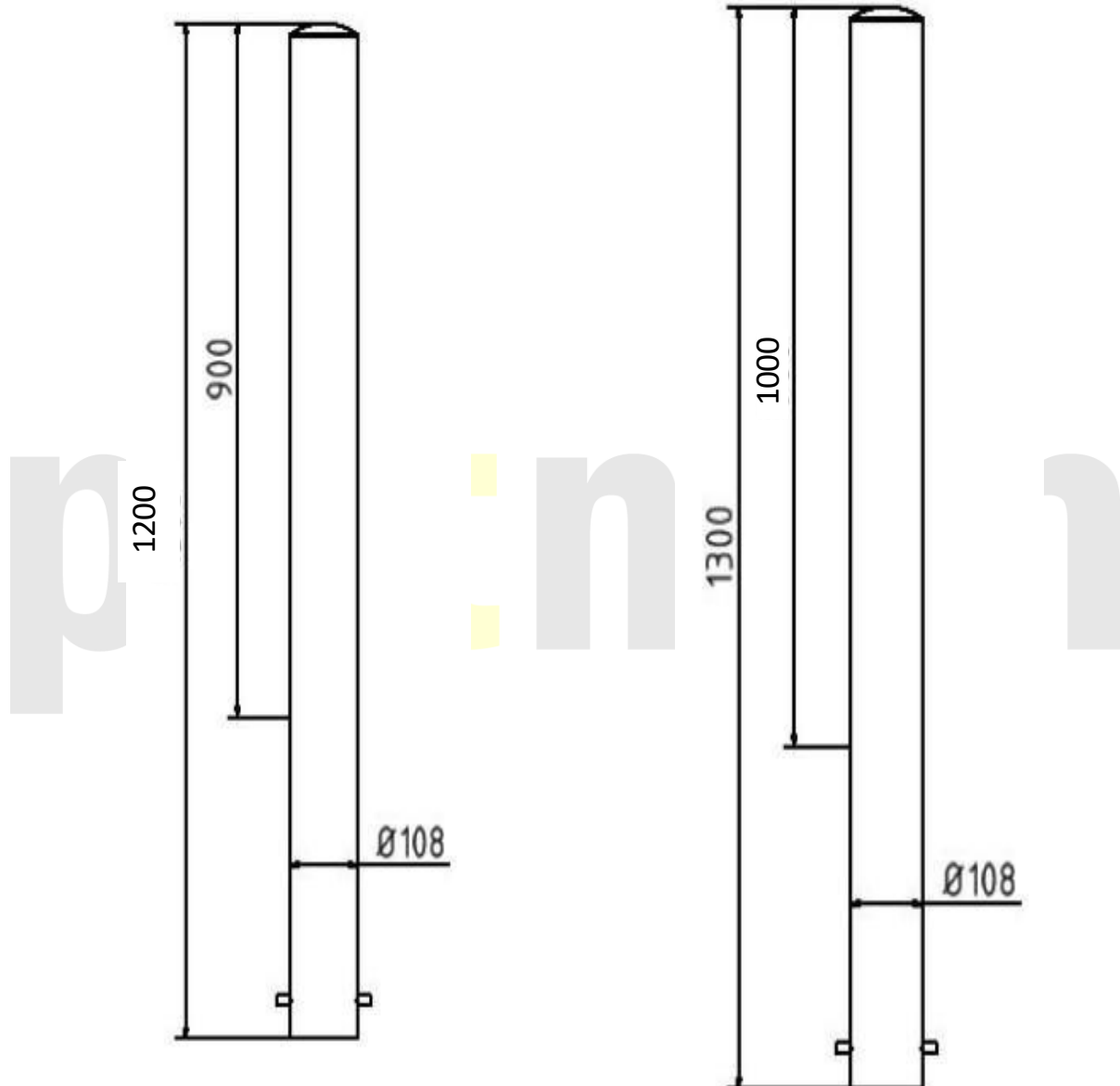
1310 Solihull Parkway, Birmingham Business Park
Birmingham B37 7YB
Ph: 0121 630 3527
sales@pittman.uk



Manufacturer / Brand	Schake GmbH
Warranty	1 Year manufacturer's warranty
Material	Hot-dip galvanised steel Mespil no. 3 – powder coated black
Components	Single piece design
Dimensions	1200/1300(H) x Ø 108mm 2.9mm wall thickness
Weight	11kg
Features	Cast into concrete – easy installation Hot-dip galvanised steel – reduces risk of rust Welded steel top cap 900mm above ground after install Powder coated option – includes reflective marking

Ireland:
B2 Athy Business Campus
Athy, Co. Kildare R14 PK74
Ph: 01 531 2777
Email: sales@pittman.ie

United Kingdom:
1310 Solihull Parkway, Birmingham Business Park
Birmingham B37 7YB
Ph: 0121 630 3527
sales@pittman.uk



Ireland:
B2 Athy Business Campus
Athy, Co. Kildare R14 PK74
Ph: 01 531 2777
Email: sales@pittman.ie

United Kingdom:
1310 Solihull Parkway, Birmingham Business Park
Birmingham B37 7YB
Ph: 0121 630 3527
sales@pittman.uk