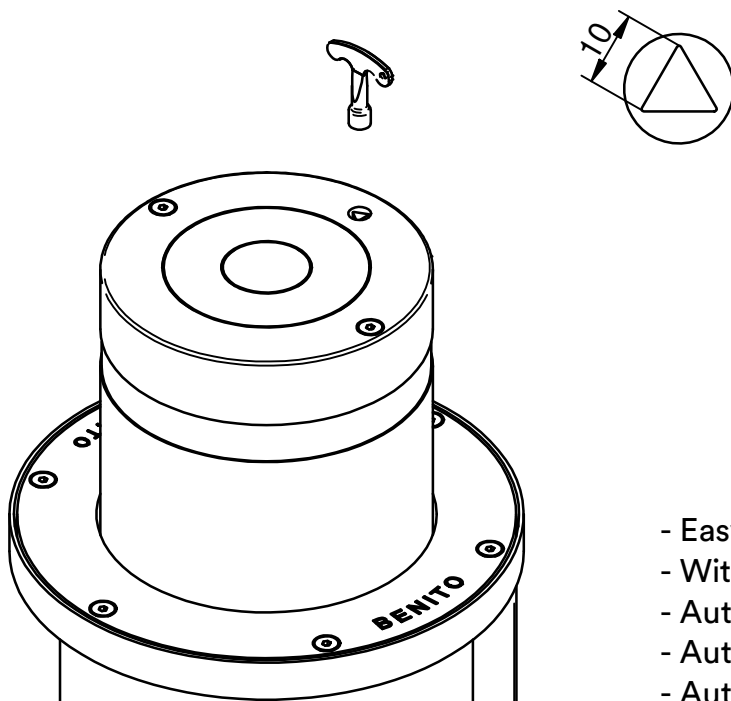
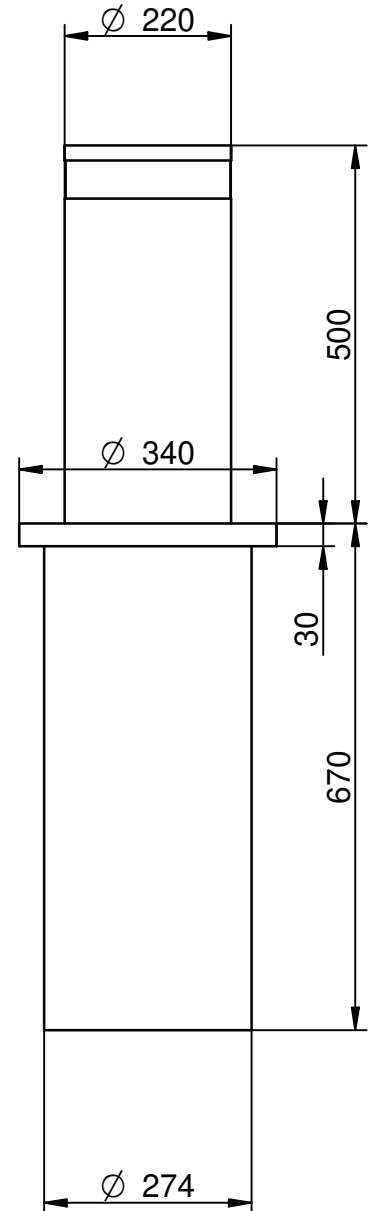
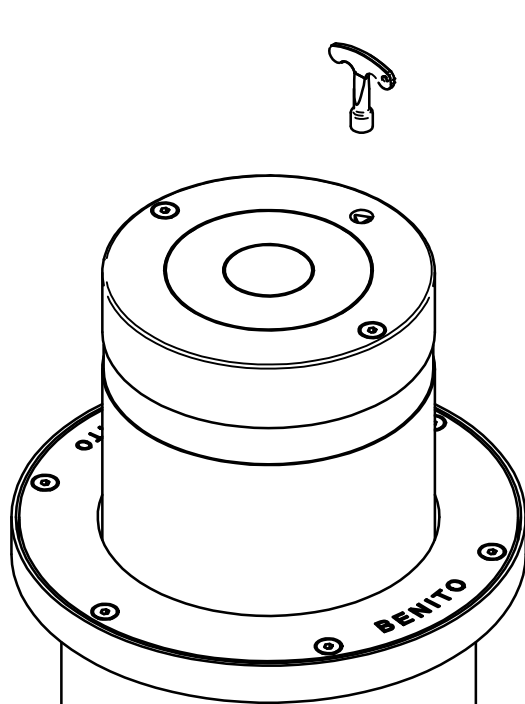
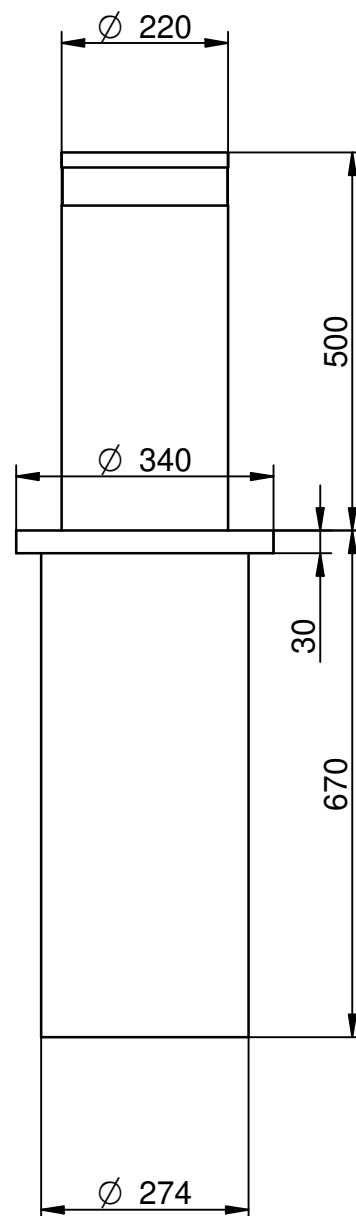


Height from ground level	500 mm
Pylon diameter	220 mm
Drawer dimensions	340x340x670 mm
Thickness	4 mm
Material and finish	Inox A304 satin
Upload system	Gas cylinder
Ascending force	400 Newton
Lowering system	Manual
Reflective band	Yes
Key	Yes (triangular 10 mm)
Upper / lower auto lock	Yes
Impact resistance	15.000 J
Cycles	More than 500.000



- Easy and fast lifting
- With triangular key DIN3223
- Automatic lift
- Automatic lock in lowered position
- Automatic lock in raised position

Height from ground level	500 mm
Pylon diameter	220 mm
Drawer dimensions	340x340x680 mm
Thickness	8 mm
Material and finish	Inox A304 satin
Upload system	Gas cylinder
Ascending force	400 Newton
Lowering system	Manual
Reflective band	Yes
Key	Yes (triangular 10 mm)
Upper / lower auto lock	Yes
Impact resistance	20.000 J
Cycles	More than 500.000



- Easy and fast lifting
- With triangular key DIN3223
- Automatic lift
- Automatic lock in lowered position
- Automatic lock in raised position