

Transport Containers

Transport Boxes • Crates and Baskets • Dollies



Light Alloy Transport Containers for Easy Handling

All GMÖHLING cases, crates, boxes and baskets are made from high quality aluminium alloy, with the result that they are both light-weight and stable. Their low tare weight makes the containers easy to transport and ensures optimum handling. The material is robust guaranteeing a long service life.

Ideal: GMÖHLING containers can be stacked and unstacked more easily and with less effort than containers with stacking corners, owing to the stacking groove round the rim, which enables them to be slid easily one on top of the other - like drawers. GMÖHLING containers are also simple to unstack: even where stacks are high and close together, all that is required is to lift the front slightly and pull the container out.

Safety and security in all aspects:

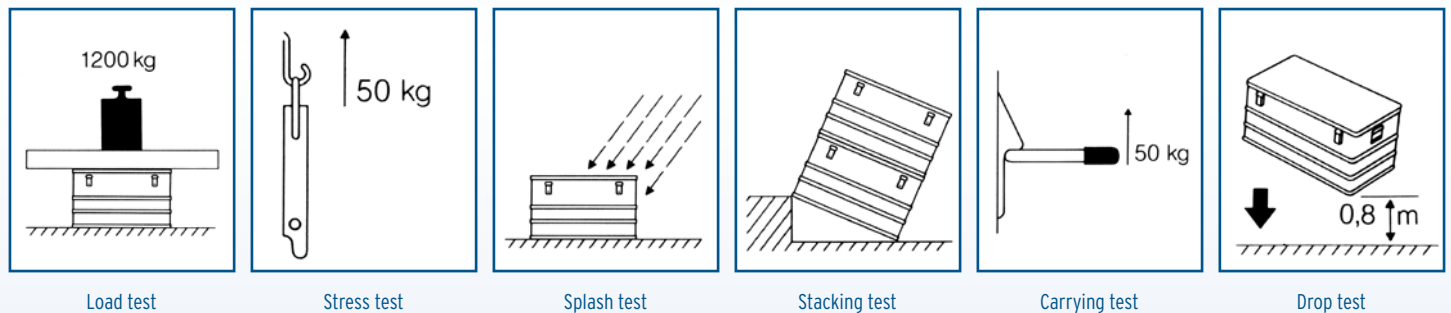
- contents are well protected against dust, splashes of water, impact and falling
- the transport crates can be securely stacked and easily transported

Gmöhling transport crates are suitable for:

- banks, insurance companies
- public authorities
- industries handling high-value items
- camping and outdoor
- printers
- electronics industry
- appliance manufacturers
- automotive industry
- photographic and optics industries
- commercial sector and service providers
- hospitals
- pharmaceuticals industry
- postal service and rail network
- jewellery and precision industries
- transport companies
- textile industry
- civil defence, military

Load testing

GMÖHLING crates and boxes are tested for load carrying capacity.



Accessories for crates and boxes

Special locks for security

The container toggle latches can be locked by fitting cylinder locks, or by means of U-locks supplied by the customer (maximum U-section thickness 6.5 mm) or security seals.

Customised divider systems

Self-adhesive, plastic guides can be fitted to the side walls of the crates. These can be positioned as required and offer 16 partition positions in a 15 mm grid. Light alloy dividers.

Toolboxes

The following containers can be converted to toolboxes by means of an impact-resistant plastic (PP) insert tray and 2 supports:



U-lock



Cylinder lock



Divider system



Insert box

Model A 1539	Model A 1589	Model A 1599
■ A 1539 / 60	■ A 1589 / 42	■ A 1599 / 42
■ A 1539 / 81	■ A 1589 / 60	■ A 1599 / 60
	■ A 1589 / 73	■ A 1599 / 73
		■ A 1599 / 81

Model number	Dimensions in mm (L x W x H) inside outside (approx.)	Volume in l	Weight in kg	Order number
Insert tray A 9599 Plastic	410 x 310 x 85 445 x 345 x 90	11	0.7	06 9599 01
1 pair of supports 485 mm long			0.4	0 45 9599 01

Light Alloy Transport Boxes

Description:

- Lid and container rims with stable, hardened extruded profiles
- Hinged lid with full rubber seal and 2 retaining straps
- Corner radius 30 mm
- 2 spring-drop handles, Model A 1589 / 327 with 4 spring-drop handles
- The profiled reinforcements on the upper rim of the container reduce the length and width of the crate by approximately 10 mm (approximately 30 mm in the case of crates A 1589/156, 239 and 327)
- **All sizes of model A 1589 are also available as packaging for dangerous goods. If you need further information, please don't hesitate to contact us.**

Options:

- Cylinder locks or special locks for security
- Divider system
- Models A 1589 / 42, A 1589 / 60 and A 1589 / 73 can be fitted with a plastic insert case

For corresponding container dollies see Page 7.



Model number	Info below	Dimensions in mm (L x W x H) inside outside (approx.)	Volume in l	Weight in kg	Load capacity in kg	Order number	Dividers in mm (L x W x D)	Order number
A 1569 / 50	--	422 x 335 x 368 457 x 370 x 398	50	4.0	50	0 10 1569 08		
A 1569 / FK 27	--	620 x 400 x 240 655 x 435 x 270	60	5.5	50	0 10 1569 03	385 x 240 x 1.5	0 45 1569 01
A 1569 / FK 35	2	620 x 400 x 320 655 x 435 x 350	80	6.0	50	0 10 1569 05	385 x 240 x 1.5	0 45 1569 01
A 1569 / FK 52	2	620 x 400 x 480 655 x 435 x 510	120	7.0	50	0 10 1569 07	385 x 240 x 1.5	0 45 1569 01
A 1569 / 70	2	708 x 498 x 400 743 x 533 x 430	137	8.0	50	0 10 1569 09		
A 1589 / 29	1, 3	553 x 353 x 150 588 x 388 x 180	29	4.2	40	0 10 1589 10		
A 1589 / 42	1, 3	553 x 353 x 220 588 x 388 x 250	42	4.7	50	0 10 1589 11		
A 1589 / 60	1, 3	553 x 353 x 310 588 x 388 x 340	60	5.1	50	0 10 1589 12	338 x 250 x 1.5	0 45 1589 01
A 1589 / 73	1, 2, 3	553 x 353 x 380 588 x 388 x 410	73	5.5	50	0 10 1589 13	338 x 250 x 1.5	0 45 1589 01
A 1589 / 115	2, 3	553 x 553 x 382 588 x 588 x 410	115	6.9	50	0 10 1589 14	538 x 250 x 1.5	0 45 1589 02
A 1589 / 156	1, 2, 3	753 x 553 x 380 788 x 588 x 410	156	9.1	75	0 10 1589 15	538 x 250 x 1.5	0 45 1589 02
A 1589 / 239	1, 2, 3	753 x 553 x 580 788 x 588 x 610	239	10.2	75	0 10 1589 17	538 x 250 x 1.5	0 45 1589 02
A 1589 / 327	1, 2, 3	1153 x 753 x 380 1188 x 788 x 410	327	15.0	150	0 10 1589 19		
1 pair divider guides: dimensions 300 x 150								0 45 1500 01
1 pair cylinder locks for toggle catches								0 45 0310 01

Info: 1 Area measurements designed to fit 1200 x 800 mm europallet. 2 Walls reinforced with trapezoidal-shaped ribs. 3 These sizes are also available as packaging for dangerous goods.

Reinforced Boxes in Decorative Light Alloy

For tradesmen, service engineers, industry and hobby use

Description:

- Textured, largely scratch resistant surface
- Lid and container rims with stable, hardened extruded profiles
- Hinged lid with full rubber seal
- 2 retaining straps (press button system), A 1599 / 26 without retaining straps
- Lid removable if required
- Corner radius 30 mm
- 2 spring-drop handles Model A 1589 / 26 with a single spring-drop handle on the lid, Model A 1599 / 42 with an additional spring-drop handle on the front end
- The profiled reinforcements on the upper rim of the container reduce the length and width of the crate by approximately 10 mm.



Set A 1599



Options:

- Cylinder locks or special locks for security
- Divider system
- Models A 1599 / 42, 60, 73 and 81 can be fitted with a plastic insert case.

Model number	Info below	Dimensions in mm (L x W x H) inside outside (approx.)	Volume in l	Weight in kg	Load capacity in kg	Order number	Dividers in mm (L x W x D)	Order number
A 1599 / 26	1	353 x 253 x 310 388 x 288 x 340	26	2.7	30	0 10 1599 20		
A 1599 / 42	1	553 x 353 x 220 588 x 388 x 250	42	3.9	50	0 10 1599 21		
A 1599 / 60	1	553 x 353 x 300 588 x 388 x 328	60	4.3	50	0 10 1599 22	338 x 250 x 1.5	0 45 1589 01
A 1599 / 73	1, 2	553 x 353 x 380 588 x 388 x 410	73	4.6	50	0 10 1599 23	338 x 250 x 1.5	0 45 1589 01
A 1599 / 81	1	753 x 353 x 310 788 x 388 x 340	81	5.3	50	0 10 1599 41	338 x 250 x 1.5	0 45 1589 01
A 1599 / 85	2	620 x 420 x 328 655 x 455 x 358	85	5.0	50	0 10 1599 28		
A 1599 / 115	2	686 x 486 x 358 721 x 521 x 380	115	6.0	75	0 10 1599 29		
A 1599 / 156	1, 2	753 x 553 x 380 788 x 588 x 410	156	7.3	75	0 10 1599 24	538 x 250 x 1.5	0 45 1589 02
A 1599 / 239	1, 2	753 x 553 x 580 788 x 588 x 610	239	8.8	75	0 10 1599 25	538 x 250 x 1.5	0 45 1589 02
Set A 1599 containing: A 1599/60, 85, 115 und 156				23		0 10 1599 00		
1 pair divider guides: dimensions 300 x 150								0 45 1500 01
1 pair cylinder locks for toggle catches								0 45 0310 01

Info: 1 Area measurements designed to fit 1200 x 800 mm europallet. 2 Walls reinforced with trapezoidal-shaped ribs. Each of the smaller crates fits inside the larger ones (see illustration top left).

Multi-purpose Boxes in Decorative Light Alloy

For private and business use

Multi-purpose boxes in five different sizes, ideal for safeguarding and storing hobby equipment, for travel, removals and other transport requirements.

Description:

- Textured, largely scratch resistant surface
- Lid and container rims with stable, hardened extruded profiles
- Hinged lid with full rubber seal
- Lid removable if required
- Corner radius 30 mm
- 2 spring-drop handles, Model A 1539 / 42 with suitcase-style handle on the front end



Options:

- Cylinder locks or special locks for security
- Divider system
- Models A 1539 / 60 and A 1539 / 81 can be fitted with a plastic insert case

Model number	Info below	Dimensions in mm (L x W x H) inside outside (approx.)	Volume in l	Weight in kg	Load capacity in kg	Order number	Dividers in mm (L x W x D)	Order number
A 1539 / 42	--	550 x 350 x 220 585 x 385 x 243	42	3.9	30	0 10 1539 02	335 x 220 x 1.5	0 45 1539 02
A 1539 / 60	--	550 x 350 x 310 585 x 385 x 333	60	4.4	30	0 10 1539 04	335 x 310 x 1.5	0 45 1539 04
A 1539 / 81	2	750 x 350 x 310 785 x 385 x 333	81	5.5	50	0 10 1539 05	335 x 310 x 1.5	0 45 1539 05
A 1539 / 135	2	850 x 450 x 350 885 x 485 x 373	135	7.1	75	0 10 1539 06	435 x 350 x 1.5	0 45 1539 06
A 1539 / 150	2	950 x 450 x 350 985 x 485 x 373	150	7.6	75	0 10 1539 07	435 x 350 x 1.5	0 45 1539 07
1 pair divider guides: dimensions 300 x 150								0 45 1500 01
1 pair cylinder locks for toggle catches								0 45 0310 01

Info: 1 Area measurements designed to fit 1200 x 800 mm europallet. 2 Walls reinforced with trapezoidal-shaped ribs.

Light Alloy Transport Crates

Optimising material flow

The ideal transport and storage boxes for a wide range of services and industries - including the hygiene sector

Description:

- Stackable
- Rims with stable, hardened extruded profiles
- Walls reinforced with trapezoidal ribs
- 2 integral handles

Suitable for:

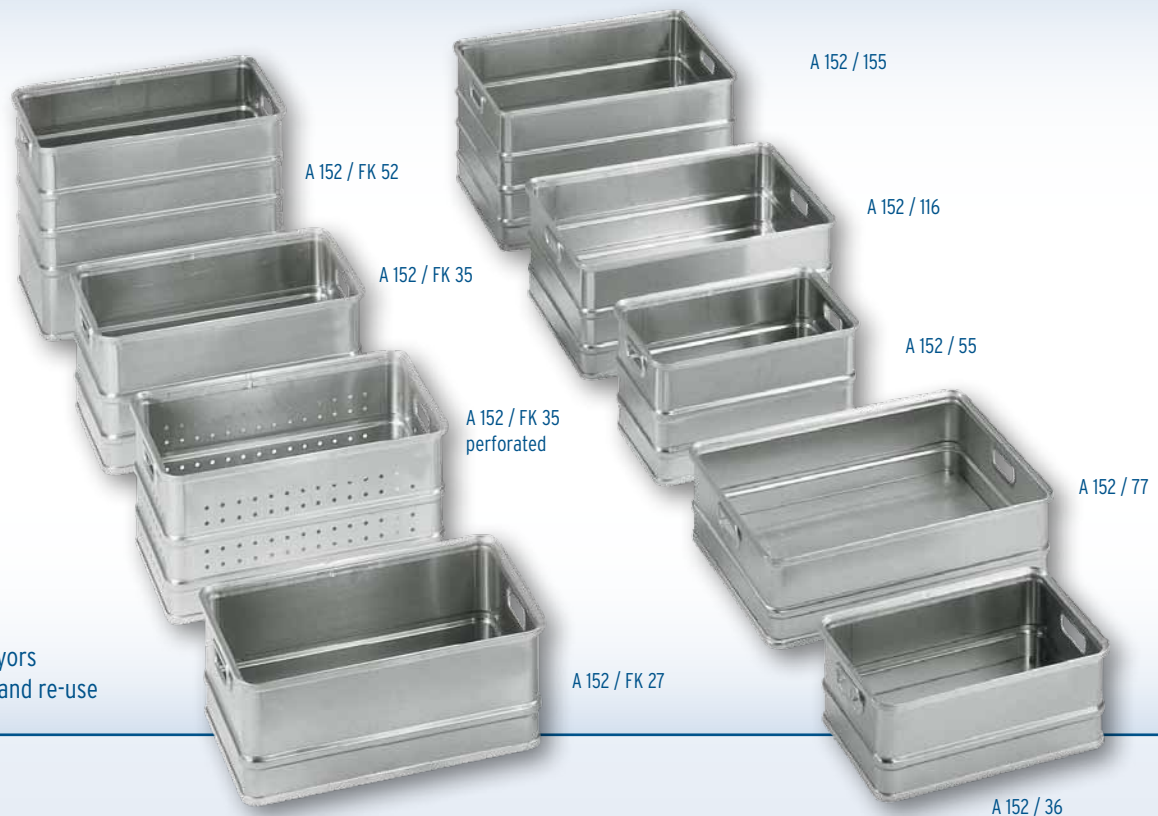
- Plastics processing industry
- Textile industry
- Pharmaceuticals industry
- Food industry
- Hospitals
- Distribution companies

Accessories:

- Loose lid for light metal alloy transport boxes, boxes still stackable with lid



Loose lid



Properties:

- extremely robust
- light-weight
- easy to clean
- hygienic, sterilisable
- odourless, food-safe
- suitable for roller conveyors
- tried and tested for use and re-use

Model number	Info below	Dimensions in mm (L x W x H) inside outside (approx.)	Volume in l	Weight in kg	Load capacity in kg	Walls and floor	Order number
A 152 / 36	1, 2	548 x 348 x 205 578 x 378 x 230	36	2.8	50	unperforated	0 00 0152 21
A 152 / 55	1, 2	548 x 348 x 305 578 x 378 x 330	55	3.3	50	unperforated	0 00 0152 23
A 152 / 77	1, 2	728 x 548 x 205 758 x 578 x 230	77	4.3	50	unperforated	0 00 0152 25
A 152 / 116	1, 2	728 x 548 x 305 758 x 578 x 330	116	5.0	50	unperforated	0 00 0152 27
A 152 / 155	1, 2	728 x 548 x 405 758 x 578 x 430	155	5.6	50	unperforated	0 00 0152 29
A 152 / FK 27	2	620 x 400 x 235 650 x 430 x 260	60	3.8	50	unperforated	0 00 0152 03
A 152 / FK 35	2	620 x 400 x 315 650 x 430 x 340	80	4.0	50	unperforated	0 00 0152 05
A 152 / FK 35	2	620 x 400 x 315 650 x 430 x 340	80	3.8	50	perforated	0 00 0152 06
A 152 / FK 52	2	620 x 400 x 480 650 x 430 x 505	120	4.9	50	unperforated	0 00 0152 07
Loose lid for A 152/FK				1.0			0 45 0049 01

Info: 1 Area measurements designed to fit 1200 x 800 mm europallet. 2 Walls reinforced with trapezoidal-shaped ribs.

Light Alloy Container Dollies

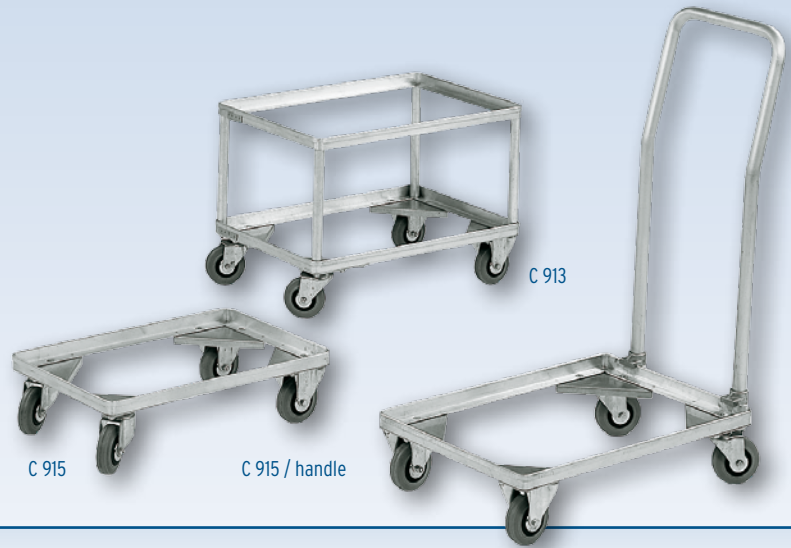
For effort-free transport of all GMÖHLING boxes, baskets and crates

Description:

- Hardened, profile frame
- 2 fixed and 2 swivel castors ø 100 mm, non-marking, solid rubber tyres, galvanised steel forks, roller bearings and thread guard

Accessories:

- Light alloy, anodised handle



Container dolly 150 mm height		Fahrgestell with handle	Container dolly 440 mm height		Fahrgestell with handle	inner frame in mm	Load capacity in kg
Model no.	Order no.	Order no.	Model no.	Order no.	Order no.		
C 915 / 1	2 28 0915 51	2 28 0915 61	C 913 / 1	2 28 0913 51	2 28 0913 61	575 x 370	200
C 915 / 1 D	2 28 0915 55	2 28 0915 65	C 913 / 1 D	2 28 0913 55	2 28 0913 65	575 x 370	200
C 915 / FK	2 28 0915 54	2 28 0915 64	C 913 / FK	2 28 0913 54	2 28 0913 64	642 x 424	200
C 915 / 2	2 28 0915 52	2 28 0915 62	C 913 / 2	2 28 0913 52	2 28 0913 62	724 x 459	200
C 915 / 2 D	2 28 0915 56	2 28 0915 66	C 913 / 2 D	2 28 0913 56	2 28 0913 66	724 x 459	200
C 915 / 4	2 28 0915 59	2 28 0915 69	C 913 / 4	2 28 0913 59	2 28 0913 69	772 x 572	200

Model no.	fits boxes P. 3 and 4	fits crates P. 6	fits baskets P. 7
C 915 / 1	A 1589 / 29	A 152 / 36	A 113 / 1
C 915 / 1 D	A 1589 / 42 - A 1599 / 42	A 152 / 55	A 1130 / 1
C 913 / 1	A 1589 / 60 - A 1599 / 60		
C 913 / 1 D	A 1589 / 73 - A 1599 / 73		
C 915 / FK	A 1569 / FK 27	A 152 / FK 27
C 913 / FK	A 1569 / FK 35 A 1569 / FK 52	A 152 / FK 35 A 152 / FK 52
C 915 / 2	A 113 / 2
C 915 / 2 D	A 113 / 3
C 913 / 2	A 1130 / 2
C 913 / 2 D	
C 915 / 4	A 1589 / 156 - A 1599 / 156	A 152 / 77
C 913 / 4	A 1589 / 239 - A 1599 / 239 2 x A 1589 / 60 - A 1599 / 60 2 X A 1589 / 73 - A 1599 / 73	A 152 / 116 A 152 / 155 2 x A 152 / 36 2 X A 152 / 55



Light Alloy Stacking Baskets

Stable transport and storage containers with very low tare weight for light-weight items

Suitable for:

- Laundries
- Bakeries
- Retailers
- Distribution companies

Model number	Dimensions in mm (L x W x H) inside outside (approx.)	Volume in l	Weight in kg	Load capacity in kg	Walls and floor	Order number
A 113 / 1	544 x 340 x 270 564 x 360 x 288	50	2.5	40	perforated	0 00 0113 08
A 113 / 2	703 x 436 x 270 723 x 456 x 288	82	3.5	50	perforated	0 00 0113 10
A 113 / 3	703 x 436 x 400 723 x 456 x 418	122	4.5	50	perforated	0 00 0113 12
A 1130 / 1	544 x 340 x 270 564 x 360 x 288	50	2.6	40	unperforated	0 00 1130 07
A 1130 / 2	703 x 436 x 270 723 x 456 x 288	82	3.6	50	unperforated	0 00 1130 09

Description:

- Stackable
- Suitable for roller conveyors
- Hardened extruded section all-round upper rim
- Smooth walls for optimal carrying capacity
- Interchangeable polypropylene (PP) runners on bottom
- 2 integral handles

Special designs and sizes

The light alloy material we use, our flexible manufacturing options and our many years of experience in building products tailored to customers' requirements mean that our prices are competitive even for small manufacturing runs.

The GMÖHLING consultancy and service team will be pleased to help you choose the containers which best suit your needs and to answer any requests and questions you may have. Simply call or email us.

Just a few examples of individual designs:



Stacked transport cases forming a rack for humanitarian goods



Transport cases used as a housing for air moistening system



Transport cases for the transport of cylindrical supports with inspection window and foamed interior



Stackable container for tube-shaped long goods with entirely removable lid



We are certified!
Have confidence in our quality!

Certified for:
Design, development, manufacturing and
distribution of aluminium systems

GMÖHLING Transportgeräte GmbH

Stadelner Hauptstr. 34
90765 Fürth | Germany

Phone: +49 (0) 911 - 7669 - 0

Fax: +49 (0) 911 - 7669 - 277

sales@gmoehling.com

www.gmoehling.com