



barrobox™

Product code: **BB2**

- » Unique mobile site box, designed for workers on the move.
- » Retractable wheels instantly convert the box from mobile to static.
- » Unique external and internal anti-jimmy systems for added security.



Watch the BarroBox in action

Product features



2x 5-lever deadlock



Gas strut (300N)



SlamStop lid stay



Puncture-proof tyres



Forklift skids



No detachable parts



Suitable for site

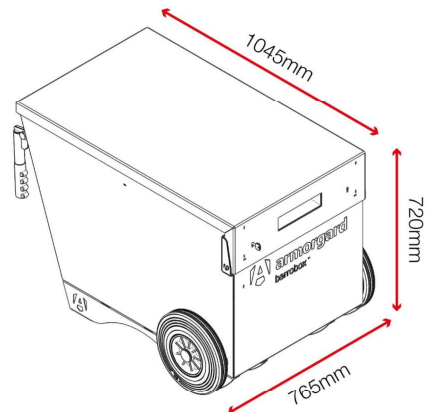


Built in handles

Product specifications

Weight	81kg
Colour	Black grey: RAL 7021, Traffic red: RAL 3020
Suitable for	Site
Finished coating	Powder coated
Material & thickness	1.5mm body and 2mm lid steel
Quantity of keys	3 keys
Suitable for vehicle mounting	No
How are castors fitted?	Not applicable
Other sizes available	No
Qty of shelves as standard	No

Dimensions



Related products - Contact Armorgard to find out more



TuffBank TB2



TuffBank TB21



OxBox OX3



TrekDror TKD1

