



flamstor™ cabinet

Product code: FSC1

- » Keeps hazardous substances safe, organised and accessible.
- » Fully welded sump helps contain any leakages.
- » Ventilation allows airflow and helps prevent the build-up of fumes.

Product features



2x 5-lever
deadlock



Forklift skids



COSHH
compliant



Sump capacity
40L



Fire resistant

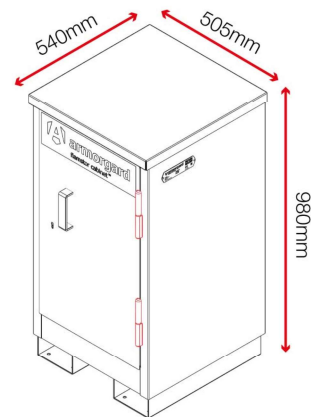


Safety signage

Product specifications

Weight	45kg
Colour	Traffic red: RAL 3020
Suitable for	Outdoor storage of flammables or chemicals
Finished coating	Powder coated
Material & thickness	1.5mm and 2mm steel
Quantity of keys	2 keys
How are castors fitted?	Quick-fix bolt on castor kit
Other sizes available	4 other sizes
Ventilation	Yes
Qty of shelves as standard	2 shelves

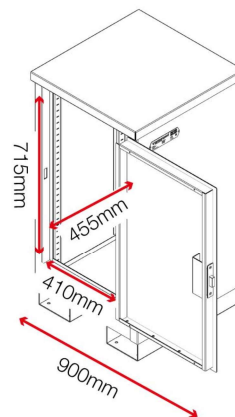
Dimensions



Optional extras - Contact Armorgard to find out more



FSC1 shelf SHE-C1





flamstor™ cabinet

Product code: **FSC2**

- » Keeps hazardous substances safe, organised and accessible.
- » Fully welded sump helps contain any leakages.
- » Ventilation allows airflow and helps prevent the build-up of fumes.

Product features



2x 5-lever
deadlock



Forklift skids



COSHH
compliant



Sump capacity
115L



Fire resistant

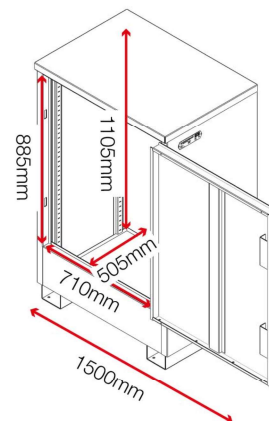
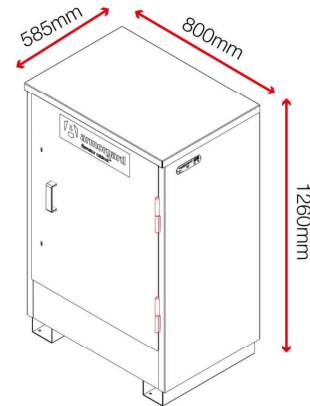


Safety signage

Product specifications

Weight	74kg
Colour	Traffic red: RAL 3020
Suitable for	Outdoor storage of flammables or chemicals
Finished coating	Powder coated
Material & thickness	1.5mm and 2mm steel
Quantity of keys	3 keys
How are castors fitted?	Quick-fix bolt on castor kit
Other sizes available	4 other sizes
Ventilation	Yes
Qty of shelves as standard	2 shelves

Dimensions



Optional extras - Contact Armorgard to find out more



FSC2 shelf SHE-C2



flamstor™ cabinet

Product code: **FSC3**

- » Keeps hazardous substances safe, organised and accessible.
- » Fully welded sump helps contain any leakages.
- » Ventilation allows airflow and helps prevent the build-up of fumes.

Product features



2x 5-lever
deadlock



Forklift skids



COSHH
compliant



130L
Sump capacity



Fire resistant

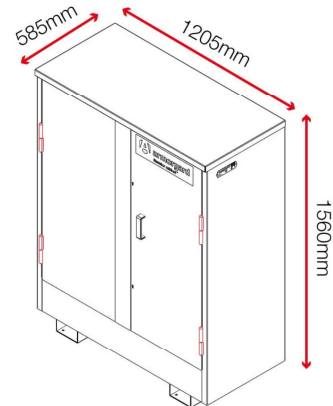


Safety signage

Product specifications

Weight	111kg
Colour	Traffic red: RAL 3020
Suitable for	Outdoor storage of flammables or chemicals
Finished coating	Powder coated
Material & thickness	1.5mm and 2mm steel
Quantity of keys	3 keys
How are castors fitted?	Quick-fix bolt on castor kit
Other sizes available	4 other sizes
Ventilation	Yes
Qty of shelves as standard	2 shelves

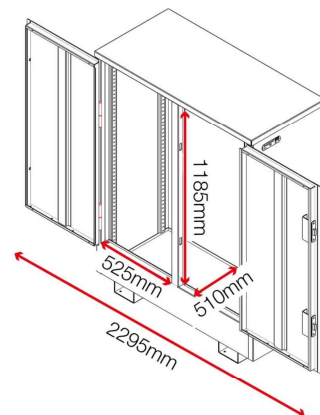
Dimensions



Optional extras - Contact Armorgard to find out more



FSC3 shelf SHE-C3





flamstor™ cabinet

Product code: **FSC4**

- » Keeps hazardous substances safe, organised and accessible.
- » Fully welded sump helps contain any leakages.
- » Ventilation allows airflow and helps prevent the build-up of fumes.

Product features



2x 5-lever
deadlock



Forklift skids



COSHH
compliant



Sump capacity
190L



Fire resistant

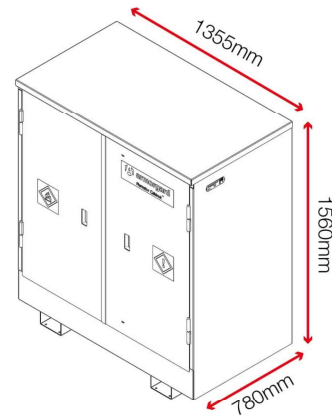


Safety signage

Product specifications

Weight	170kg
Colour	Traffic red: RAL 3020
Suitable for	Outdoor storage of flammables or chemicals
Finished coating	Powder coated
Material & thickness	1.5mm and 2mm steel
Quantity of keys	3 keys
How are castors fitted?	Not applicable
Other sizes available	4 other sizes
Ventilation	Yes
Qty of shelves as standard	1 shelf

Dimensions



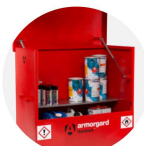
Related products - Contact Armorgard to find out more



FlamStor FSC3



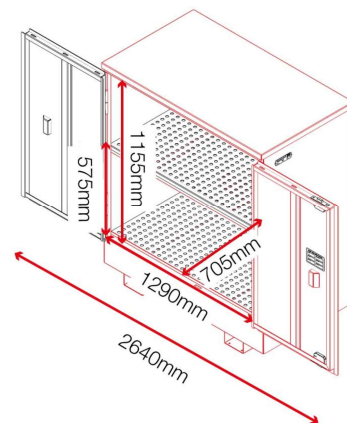
FlamStor FS1.8



FlamBank FBC4



FlamStor FSC5





flamstor™ cabinet

Product code: FSC5

- » Keeps hazardous substances safe, organised and accessible.
- » Fully welded sump helps contain any leakages.
- » Ventilation allows airflow and helps prevent the build-up of fumes.

Product features



Padlock secured



Forklift skids



COSHH compliant



Sump capacity



Fire resistant



Safety signage

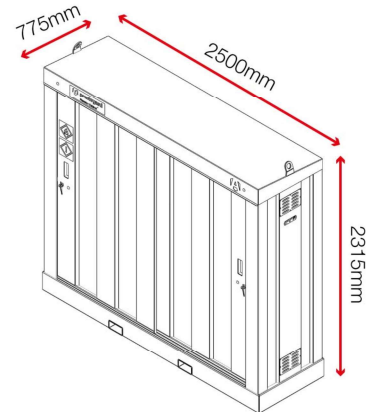


Crane lifting eyes

Product specifications

Weight	389kg
Colour	Traffic red: RAL 3020
Suitable for	Outdoor storage of flammables or chemicals
Finished coating	Powder coated
Material & thickness	1.5mm and 2mm steel
How are castors fitted?	Not applicable
Other sizes available	4 other sizes
Ventilation	Yes
Qty of shelves as standard	2 shelves

Dimensions



Optional extras - Contact Armorgard to find out more



Padlock LOCK-P50

