



# forma-shelta™

Product code: **FR200-S**

- » Safe designated area for your workers.
- » Flatpack design can be built in 10 minutes.
- » Removable powder-coated cigarette bin included.



Watch the **Forma-Shelta** in action



## Product features



Forklift skids



Crane lifting eyes



Collapsible



Stackable



Fire resistant

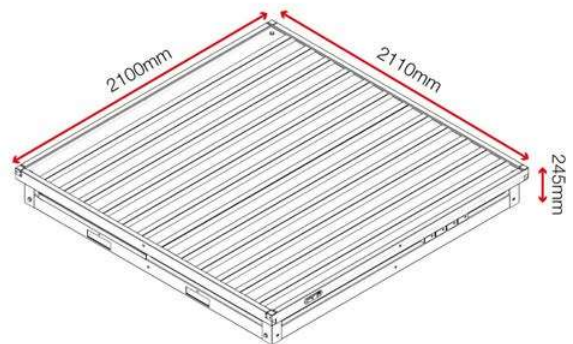


Suitable for site

## Product specifications

Weight	275kg
Colour	Black grey: RAL 7021, Traffic red: RAL 3020
Finished coating	Powder coated and aluminium
Material & thickness	1mm and 2mm steel and aluminium
Qty washes / pumps	Not applicable
Assembly required?	Yes

## Dimensions - External dimensions includes protrusions



## Related products - Contact Armorgard to find out more



Forma-Stor FR200-T



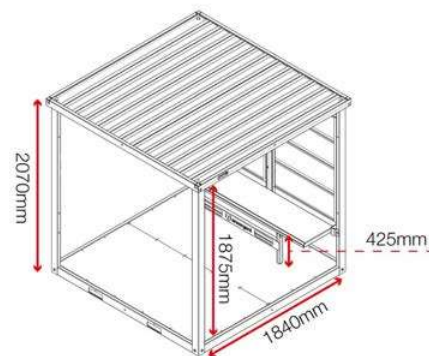
Forma-Stor FR100-T



SiteStation SS2



SaniStation S20



Disclaimer: all dimensions and weights are approximate