



pittman[®]

oxbox[™]

Product code: **OX05**

- » Secure range of storage boxes.
- » Suitable for storing tools and equipment.
- » Unique external and internal anti-jimmy systems for added security.



Watch the OxBox in action

Product features



2x 5-lever deadlock



No detachable parts

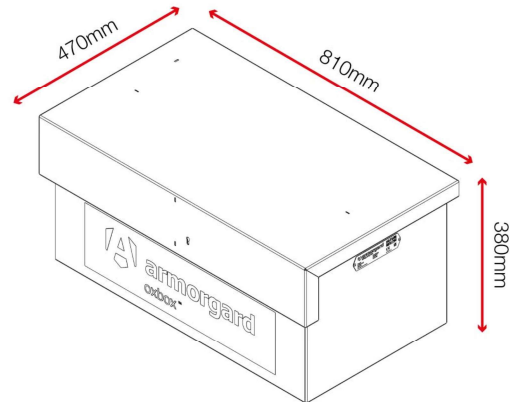


Suitable for vehicles

Product specifications

Weight	28kg
Colour	Black grey: RAL 7021
Suitable for	Vehicle
Finished coating	Powder coated
Material & thickness	1.5mm and 2.5mm steel
Quantity of keys	2 keys
Suitable for vehicle mounting	Yes
How are castors fitted?	Van box fixing kit
Other sizes available	5 other sizes
Qty of shelves as standard	No

Dimensions



Related products - Contact Armorgard to find out more



OxBox OX1



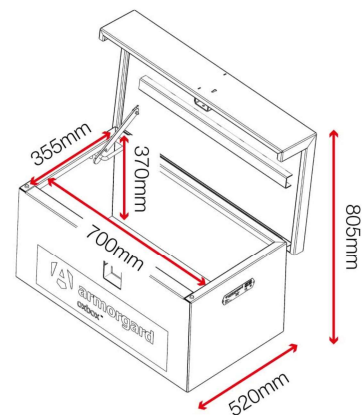
OxBox OX2



OxBox OX3



OxBox OX4





oxbox™

Product code: **OX1**

- » Secure range of storage boxes.
- » Suitable for storing tools and equipment.
- » Unique external and internal anti-jimmy systems for added security.



Watch the OxBox in action

Product features



5-lever deadlock



Gas strut (400N)



No detachable parts

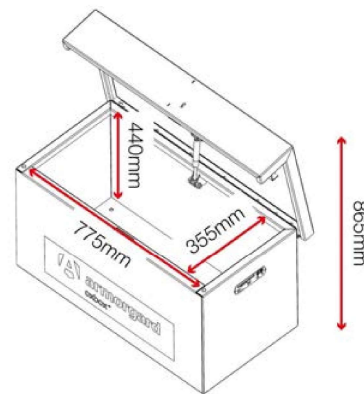
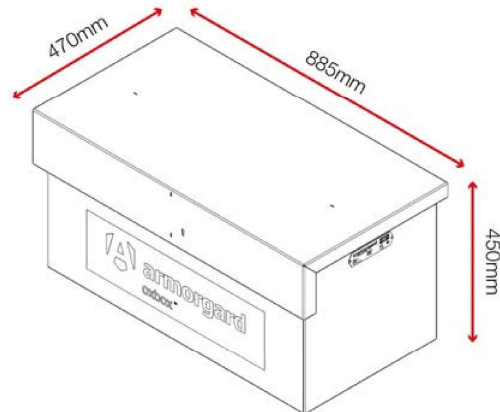


Suitable for vehicles

Product specifications

Weight	32kg
Colour	Black grey: RAL 7021
Suitable for	Vehicle
Finished coating	Powder coated
Material & thickness	1.5mm and 2.5mm steel
Quantity of keys	2 keys
Suitable for vehicle mounting	Yes
How are castors fitted?	Van box fixing kit
Other sizes available	5 other sizes
Qty of shelves as standard	No

Dimensions - External dimensions includes protrusions



Related products - Contact Armorgard to find out more



OxBox OX05



OxBox OX02



OxBox OX03



OxBox OX04

Disclaimer: all dimensions and weights are approximate



oxbox™

Product code: **OX2**

- » Secure range of storage boxes.
- » Suitable for storing tools and equipment.
- » Unique external and internal anti-jimmy systems for added security.



Watch the OxBox in action

Product features



2x 5-lever
deadlock



Gas strut (400N)



No detachable
parts

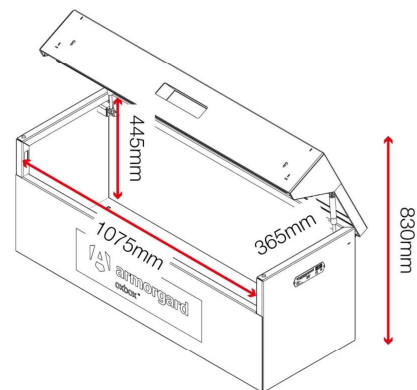
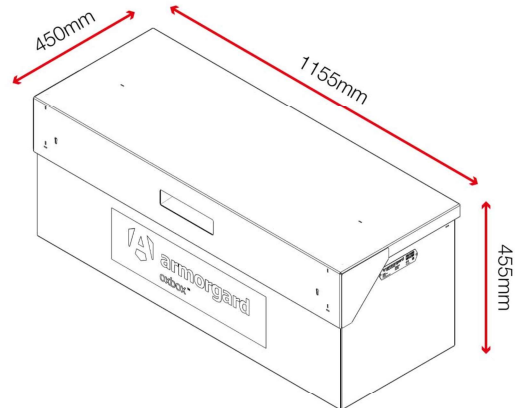


Suitable for
vehicles

Product specifications

Weight	41kg
Colour	Black grey: RAL 7021
Suitable for	Vehicle
Finished coating	Powder coated
Material & thickness	1.5mm and 2.5mm steel
Quantity of keys	3 keys
Suitable for vehicle mounting	Yes
How are castors fitted?	Van box fixing kit
Other sizes available	5 other sizes
Qty of shelves as standard	No

Dimensions



Related products - Contact Armorgard to find out more



OxBox OX05



OxBox OX01



OxBox OX03



OxBox OX04



oxbox™

Product code: OX3

- » Secure range of storage boxes.
- » Suitable for storing tools and equipment.
- » Unique external and internal anti-jimmy systems for added security.



Watch the OxBox in action

Product features



2x 5-lever deadlock



Gas strut (300N)



SlamStop lid stay



No detachable parts



Suitable for site

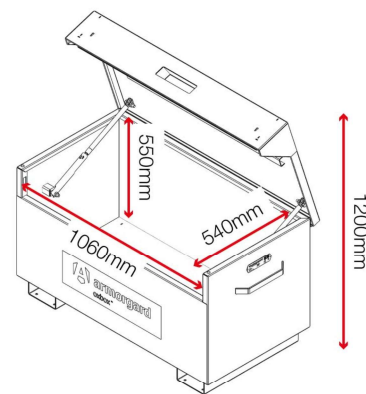
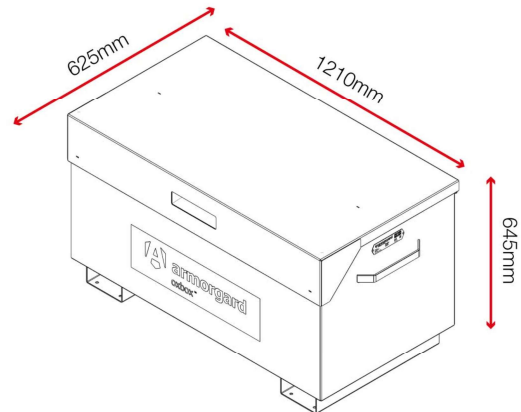


Built in handles

Product specifications

Weight	60kg
Colour	Black grey: RAL 7021
Suitable for	Site
Finished coating	Powder coated
Material & thickness	1.5mm and 2.5mm steel
Quantity of keys	3 keys
Suitable for vehicle mounting	Yes
How are castors fitted?	Quick-fix bolt on heavy-duty castor kit
Other sizes available	5 other sizes
Qty of shelves as standard	No

Dimensions



Related products - Contact Armorgard to find out more



OxBox OX1



OxBox OX2



OxBox OX4



OxBox OX6



oxbox™

Product code: **OX4**

- » Secure range of storage boxes.
- » Suitable for storing tools and equipment.
- » Unique external and internal anti-jimmy systems for added security.



Watch the OxBox in action

Product features



2x 5-lever deadlock



Gas strut (450N)



SlamStop lid stay



No detachable parts



Suitable for site

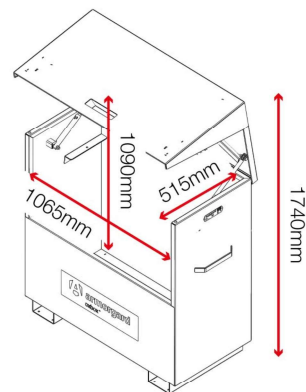
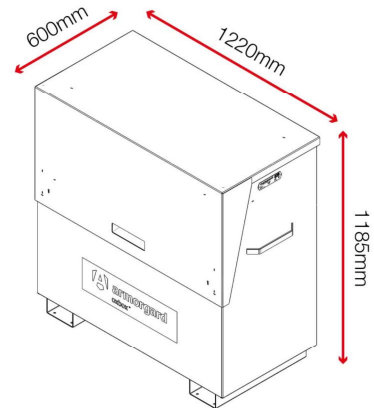


Built in handles

Product specifications

Weight	89kg
Colour	Black grey: RAL 7021
Suitable for	Site
Finished coating	Powder coated
Material & thickness	1.5mm and 2.5mm steel
Quantity of keys	3 keys
How are castors fitted?	Quick-fix bolt on heavy-duty castor kit
Other sizes available	5 other sizes
Qty of shelves as standard	No

Dimensions



Optional extras - Contact Armorgard to find out more



Castor kit CAS160-KS-FX-SB-CP



OxBox Shelf OX-S



oxbox™

Product code: **OX6**

- » Secure range of storage boxes.
- » Suitable for storing tools and equipment.
- » Unique external and internal anti-jimmy systems for added security.



Watch the OxBox in action

Product features



2x 5-lever deadlock



Gas strut (300N)



SlamStop lid stay



No detachable parts

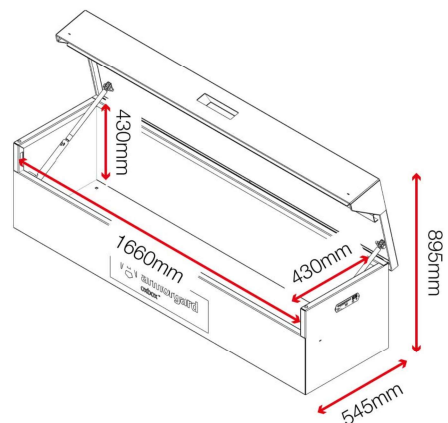
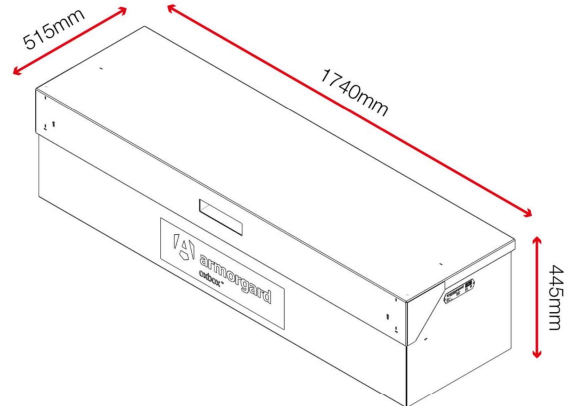


Suitable for vehicles

Product specifications

Weight	60kg
Colour	Black grey: RAL 7021
Suitable for	Vehicle
Finished coating	Powder coated
Material & thickness	1.5mm and 2.5mm steel
Quantity of keys	3 keys
Suitable for vehicle mounting	Yes
How are castors fitted?	Van box fixing kit
Other sizes available	5 other sizes
Qty of shelves as standard	No

Dimensions



Related products - Contact Armorgard to find out more



OxBox OX1



OxBox OX2



OxBox OX3



OxBox OX4