



# piperrack™

Product code: PR1

- » Mobile rack for storing and transporting long lengths of material.
- » Unique fold down design allowing them to be stacked.
- » Available in 1 or 2 tonne storage capacity.



Watch the PipeRack in action



## Product features



Heavy-duty 6" castors



Working load limit 1000kg



Collapsible



Stackable



No detachable parts



Built in handles

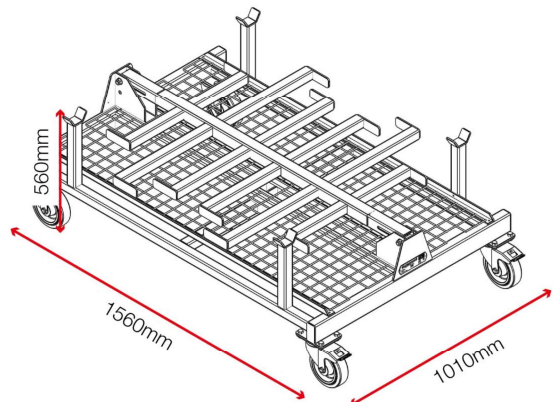


Suitable for site

## Product specifications

Weight	83kg
Colour	Jet black: RAL 9005
Finished coating	Powder coated
Material & thickness	5mm & 3mm steel
How are castors fitted?	Quick-fix bolt on heavy-duty castor kit
Assembly required?	Yes

## Dimensions



## Optional extras - Contact Armorgard to find out more



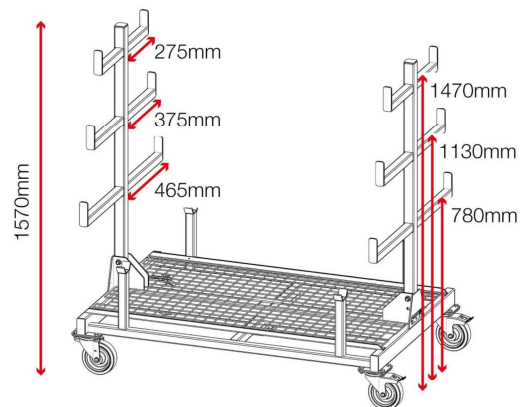
Handle kit PR-SH

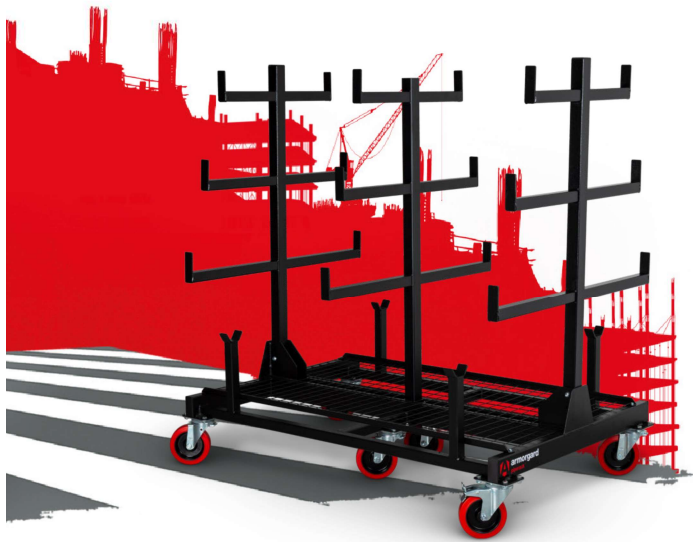


Upgrade kit PR-UK



Linking kit PR-LK





# piperrack™

Product code: PR2

- » Mobile rack for storing and transporting long lengths of material.
- » Unique fold down design allowing them to be stacked.
- » Available in 1 or 2 tonne storage capacity.



Watch the PipeRack in action

## Product features



Heavy-duty 6" castors



Working load limit 2000kg



Collapsible



Stackable



No detachable parts



Built in handles

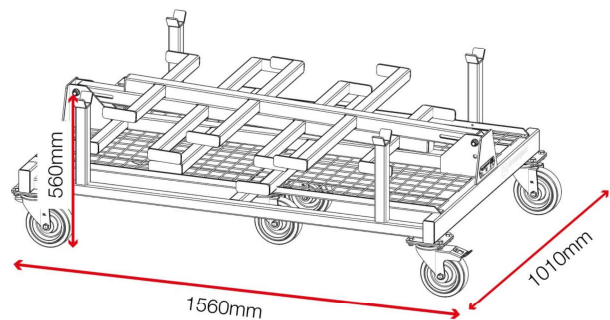


Suitable for site

## Product specifications

Weight	101kg
Colour	Jet black: RAL 9005
Finished coating	Powder coated
Material & thickness	5mm & 3mm steel
How are castors fitted?	Quick-fix bolt on heavy-duty castor kit
Assembly required?	Yes

## Dimensions



## Optional extras - Contact Armorgard to find out more



Handle kit PR-SH



Linking kit PR-LK

