



strimmersafe™ vault

Product code: **SSV6**

- » Ultra-tough, secure vault for storing landscaping equipment.
- » Slots for securing strimmers and other long handled tools.
- » Internal divider system for segregated storage.



Product features



2x 5-lever deadlock



Gas strut (300N)



Suitable for vehicles



Built in handles

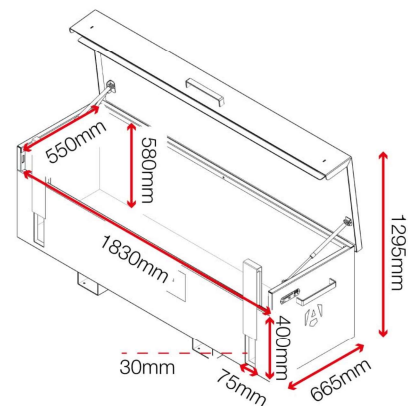
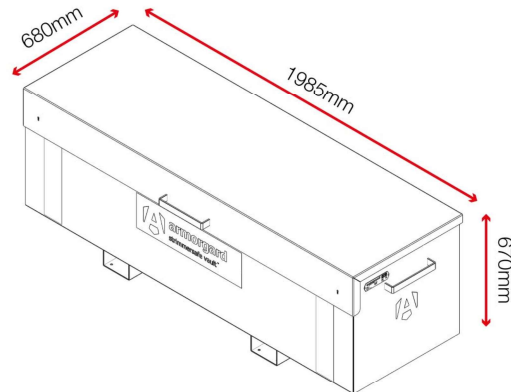


Forklift skids

Product specifications

Weight	141kg
Colour	Black grey: RAL 7021
Suitable for	Vehicle & workshop
Finished coating	Powder coated
Material & thickness	2mm and 3mm steel
Quantity of keys	3 keys
Suitable for vehicle mounting	Yes
How are castors fitted?	Quick-fix bolt on castor kit
Other sizes available	2 other sizes
Qty of shelves as standard	No

Dimensions



Related products - Contact Armorgard to find out more



StrimmerSafe Vault SSV12



StrimmerSafe Vault SSVX6



StrimmerSafe Rack SSR



TuffBank TB6



strimmersafe™ vault

Product code: **SSV12**

- » Ultra-tough, secure vault for storing landscaping equipment.
- » Slots for securing trimmers and other long handled tools.
- » Internal divider system for segregated storage.

Product features



2x 5-lever
deadlock



Gas strut (300N)



Suitable for
vehicles

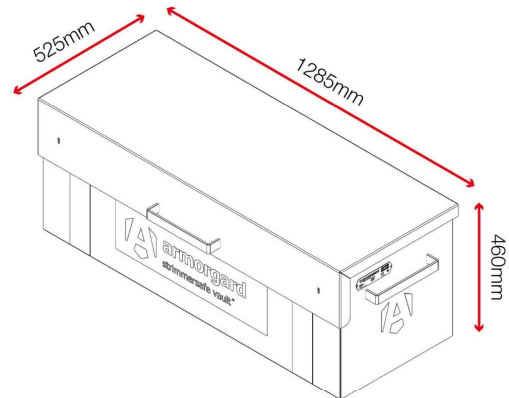


Built in handles

Product specifications

Weight	69kg
Colour	Black grey: RAL 7021
Suitable for	Vehicle & workshop
Finished coating	Powder coated
Material & thickness	2mm and 2.5mm steel
Quantity of keys	3 keys
Suitable for vehicle mounting	Yes
How are castors fitted?	Requires welding on or holes to be drilled to bolt them on
Other sizes available	2 other sizes
Qty of shelves as standard	No

Dimensions



Related products - Contact Armorgard to find out more



StrimmerSafe Vault SSV6



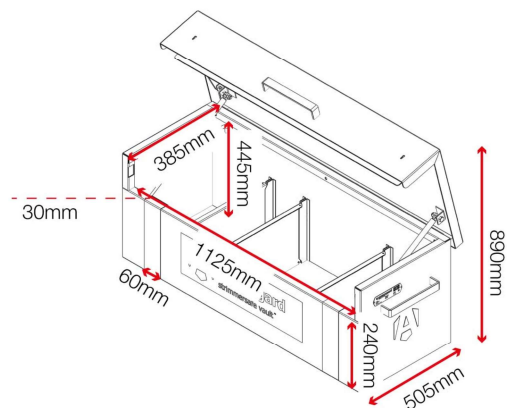
StrimmerSafe Vault SSVX6



StrimmerSafe Rack SSR



TuffBank TB2





strimmersafe™ vault

Product code: **SSV6**

- » Ultra-tough, secure vault for storing landscaping equipment.
- » Slots for securing trimmers and other long handled tools.
- » Robust construction from heavy-duty steel plate throughout.

Product features



2x 5-lever
deadlock



Gas strut (300N)



Suitable for
vehicles

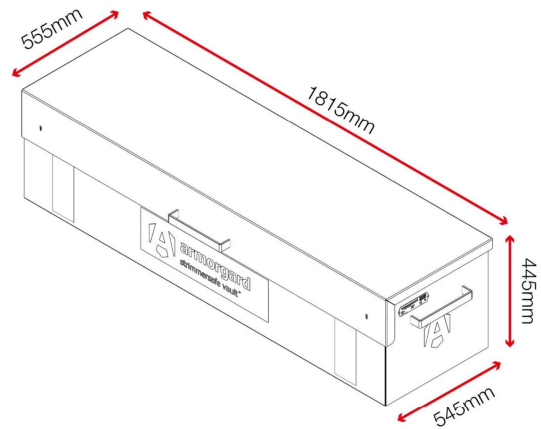


Built in handles

Product specifications

Weight	63kg
Colour	Black grey: RAL 7021
Suitable for	Vehicle & workshop
Finished coating	Powder coated
Material & thickness	2mm steel
Quantity of keys	3 keys
Suitable for vehicle mounting	Yes
How are castors fitted?	Requires welding on or holes to be drilled to bolt them on
Other sizes available	2 other sizes
Qty of shelves as standard	No

Dimensions



Related products - Contact Armorgard to find out more



StrimmerSafe Vault SSV6



StrimmerSafe Vault SSV12



StrimmerSafe Rack SSR



TuffBank TB6

