



Barcode: 5060452080208

tuffstor cabinet™

Product code: TSC1

- » Ultra-tough cabinet designed to keep tools and equipment secure.
- » Features two height-adjustable shelves.
- » Heavy-duty doors with fixed hinges and anti-jemmy protection.

Product features



5-lever deadlock



Forklift skids



Suitable for site

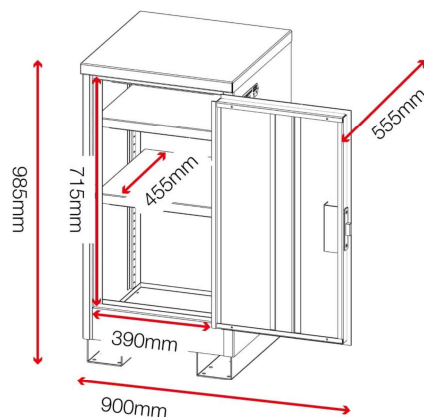
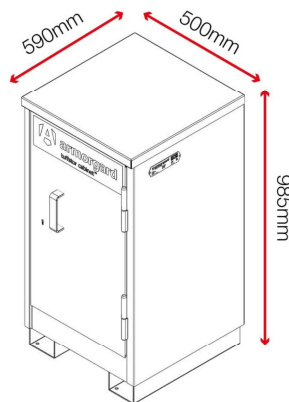


Built in handles

Product specifications

Weight	44kg
Colour	Black grey: RAL 7021
Suitable for	Site
Finished coating	Powder coated
Material & thickness	1.6mm and 2mm steel
Quantity of keys	2 keys
Suitable for vehicle mounting	Yes
How are castors fitted?	Quick-fix bolt on castor kit
Other sizes available	4 other sizes
Qty of shelves as standard	2

Dimensions



Optional extras - Contact Armorgard to find out more



Fittings bins FCB



Image coming soon



Barcode: 5060452080215

tuffstor cabinet™

Product code: TSC2

- » Ultra-tough cabinet designed to keep tools and equipment secure.
- » Adjustable shelves keep equipment organised and accessible.
- » Designed with the advantage of using less floor space.

Product features



2x 5-lever
deadlock



Forklift skids



Suitable for site

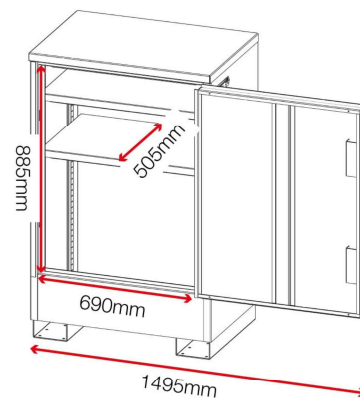
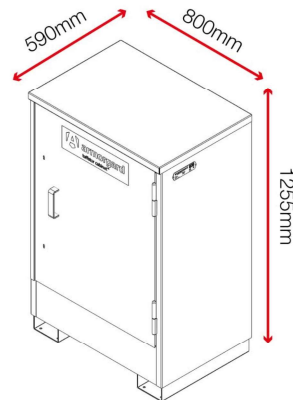


Built in handles

Product specifications

Weight	74kg
Colour	Black grey: RAL 7021
Suitable for	Site
Finished coating	Powder coated
Material & thickness	1.6mm and 2mm steel
Quantity of keys	2 keys
Suitable for vehicle mounting	Yes
How are castors fitted?	Quick-fix bolt on castor kit
Other sizes available	4 other sizes
Qty of shelves as standard	2

Dimensions



Optional extras - Contact Armorgard to find out more



Fittings bins FCB





Barcode: 5060452080222

tuffstor cabinet™

Product code: TSC3

- » Ultra-tough cabinet designed to keep tools and equipment secure.
- » Features two height-adjustable shelves.
- » Heavy-duty doors with fixed hinges and anti-jemmy protection.

Product features



2x 5-lever
deadlock



Forklift skids



Suitable for site

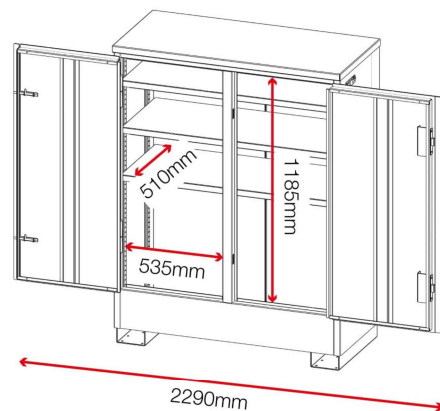
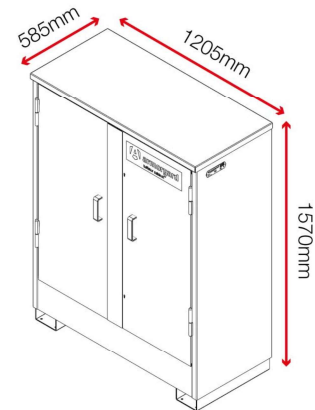


Built in handles

Product specifications

Weight	113kg
Colour	Black grey: RAL 7021
Suitable for	Site
Finished coating	Powder coated
Material & thickness	1.6mm and 2mm steel
Quantity of keys	2 keys
Suitable for vehicle mounting	Yes
How are castors fitted?	Quick-fix bolt on castor kit
Other sizes available	4 other sizes
Qty of shelves as standard	2

Dimensions



Optional extras - Contact Armorgard to find out more



Fittings bins FCB



Image
coming
soon



Barcode: 5060452082875

tuffstor cabinet™

Product code: TSC6

- » Ultra-tough cabinet designed to keep tools and equipment secure.
- » Heavy-duty doors with fixed hinges and anti-jemmy protection.
- » Comes with 4 shelves that are all fully adjustable in height.

Product features



Padlock secured



Forklift skids



150kg
UDL per shelf



Suitable for site

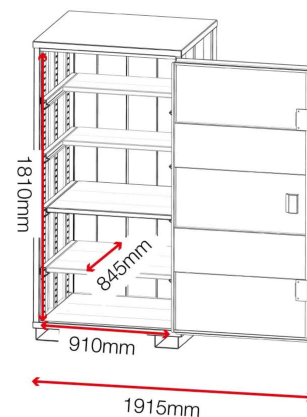
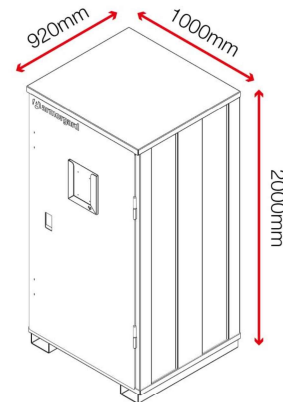


Built in handles

Product specifications

Weight	250kg
Colour	Black grey: RAL 7021
Suitable for	Site
Finished coating	Powder coated
Material & thickness	1.5mm and 2mm steel
Quantity of keys	2 keys
Suitable for vehicle mounting	No
How are castors fitted?	Not applicable
Other sizes available	4 other sizes
Qty of shelves as standard	2x full-depth, 2x half-depth

Dimensions



Related products - Contact Armorgard to find out more



TuffStor Cabinet TSC9



TuffStor Cabinet TSC3



TuffStor Cabinet TSC2



TuffStor Cabinet TSC1



Barcode: 5060452082882

tuffstor cabinet™

Product code: TSC9

- » Ultra-tough cabinet designed to keep tools and equipment secure.
- » Heavy-duty doors with fixed hinges and anti-jemmy protection.
- » Comes with 4 shelves that are all fully adjustable in height.

Product features



Padlock secured



Forklift skids



150kg
UDL per shelf



Suitable for site

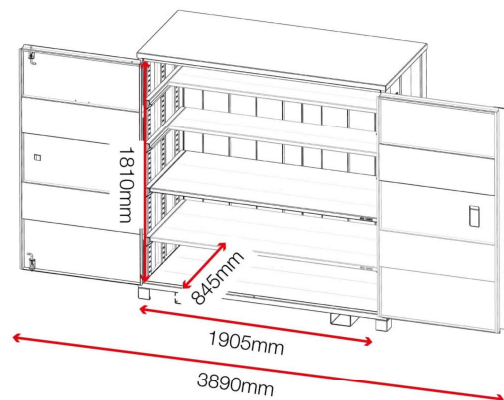
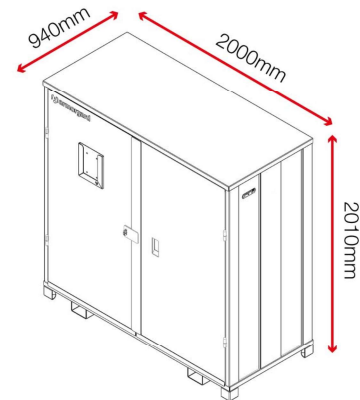


Built in handles

Product specifications

Weight	420kg
Colour	Black grey: RAL 7021
Suitable for	Site
Finished coating	Powder coated
Material & thickness	1.5mm and 2mm steel
Quantity of keys	2 keys
Suitable for vehicle mounting	No
How are castors fitted?	Not applicable
Other sizes available	4 other sizes
Qty of shelves as standard	2x full-depth, 2x half-depth

Dimensions



Related products - Contact Armorgard to find out more



TuffStor Cabinet TSC6



TuffStor Cabinet TSC3



TuffStor Cabinet TSC2



TuffStor Cabinet TSC1