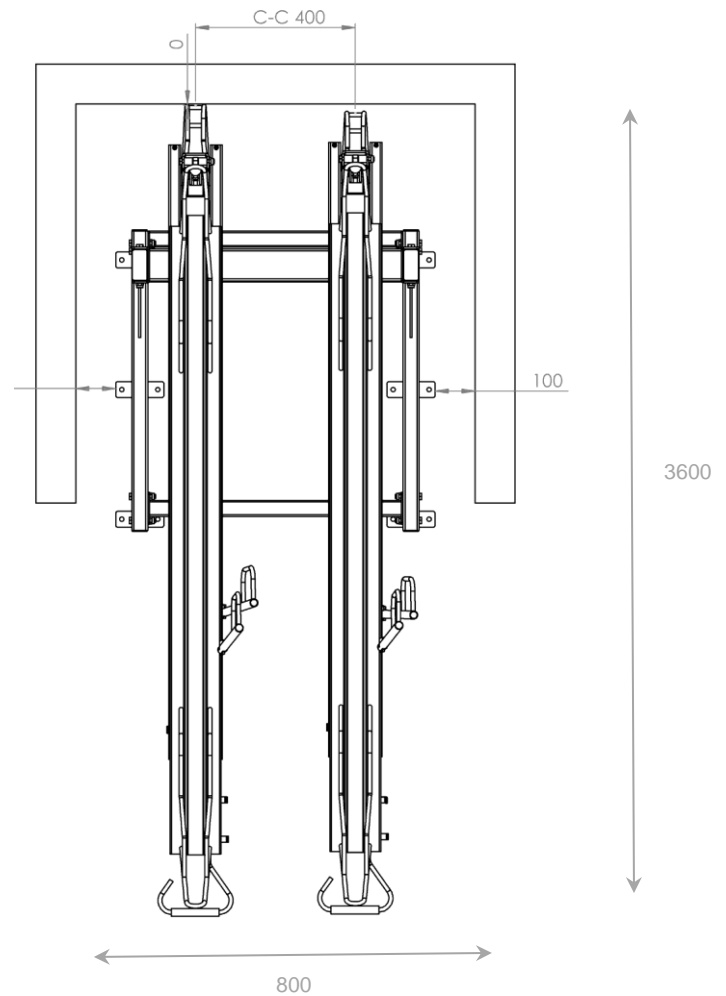
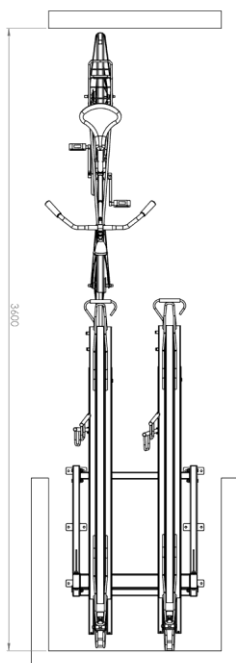
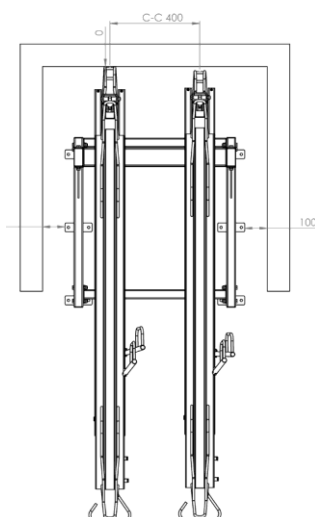


Bike-Up Pro Tower Two Tier Bike Rack

Type 100-22L, 100-33L and 100-44L

- Min distance from front facing wall, 0 mm
- Min distance from right or left wall, 100 mm
- Min distance between two bike stands is 0 mm (if bikes are on different heights, otherwise 200 mm between)
- Width of room is 3600mm
- Width of room with bike stands on two opposite walls is 5600mm
- 3600mm total depth and 800mm total width per 2 x 2 bike section
- 3600mm total depth and 1200mm total width per 3 x 3 bike section
- 3600mm total depth and 1600mm total width per 4 x 4 bike section



Type 100-2222, 100-3333 and 100-4444

- Min distance from right or left wall, 100 mm
- Min distance between two bike stands is 0 mm (if bikes are on different heights, otherwise 200 mm between)
- Min width of room with one bike stand is 6600mm
- Min width of room with two bike stands is 11500mm
- C-C distance between two bike stands is 4900mm

