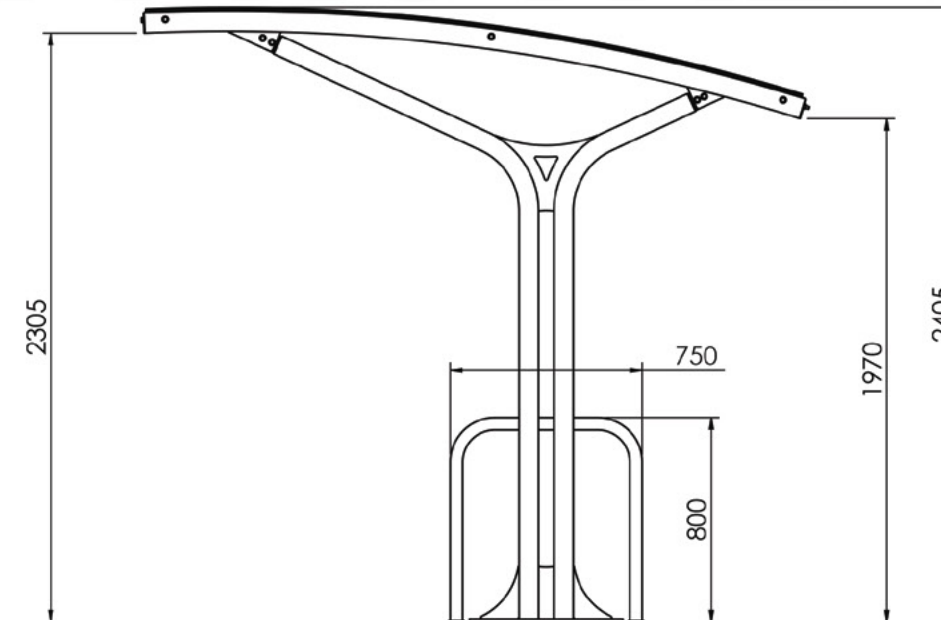
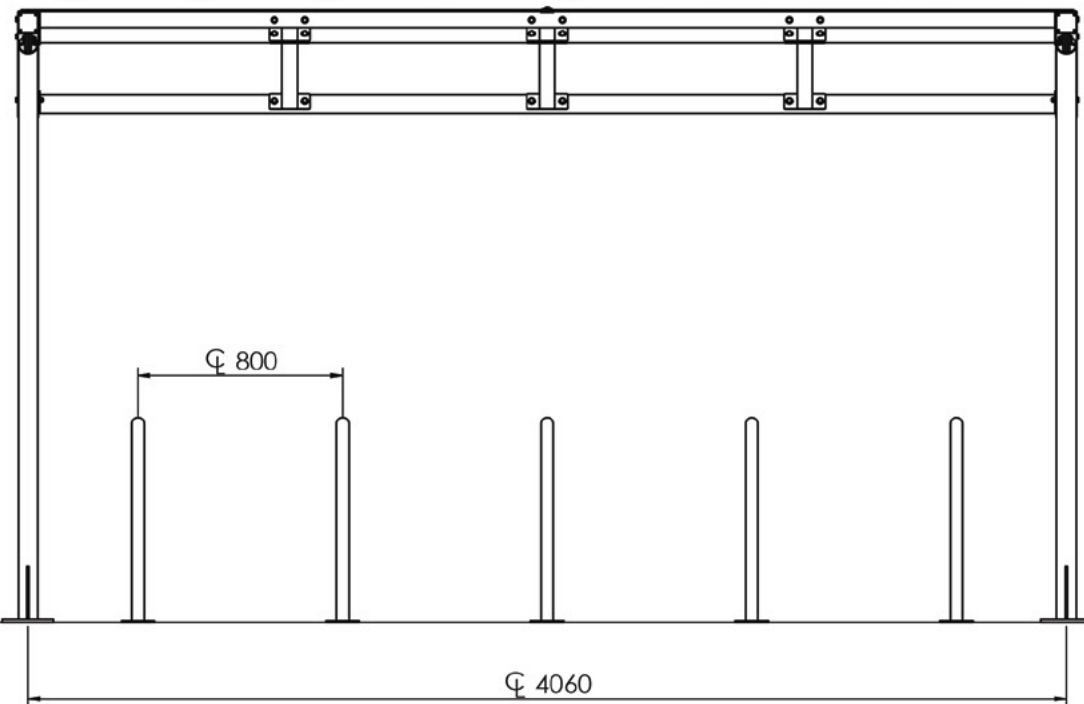
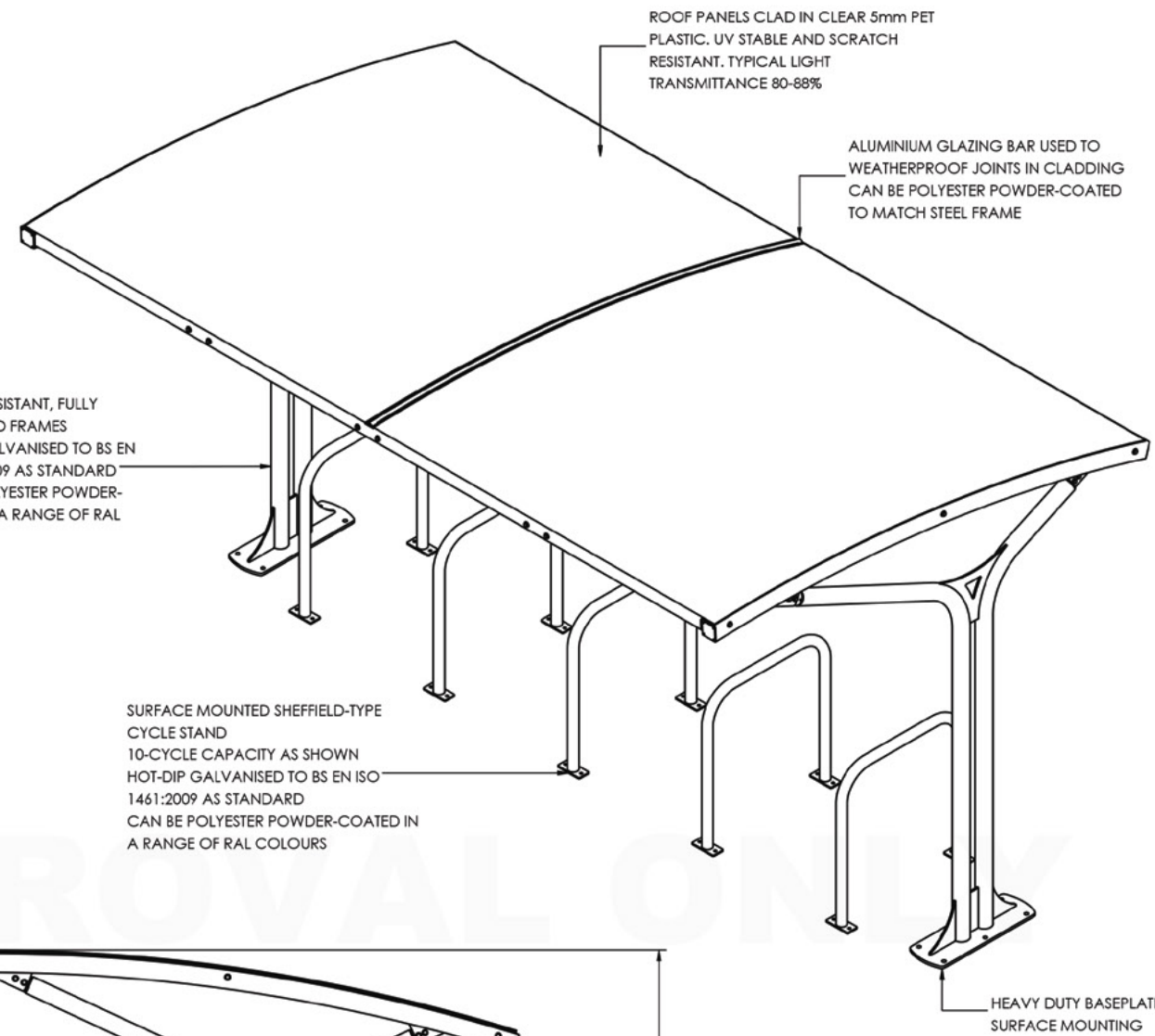
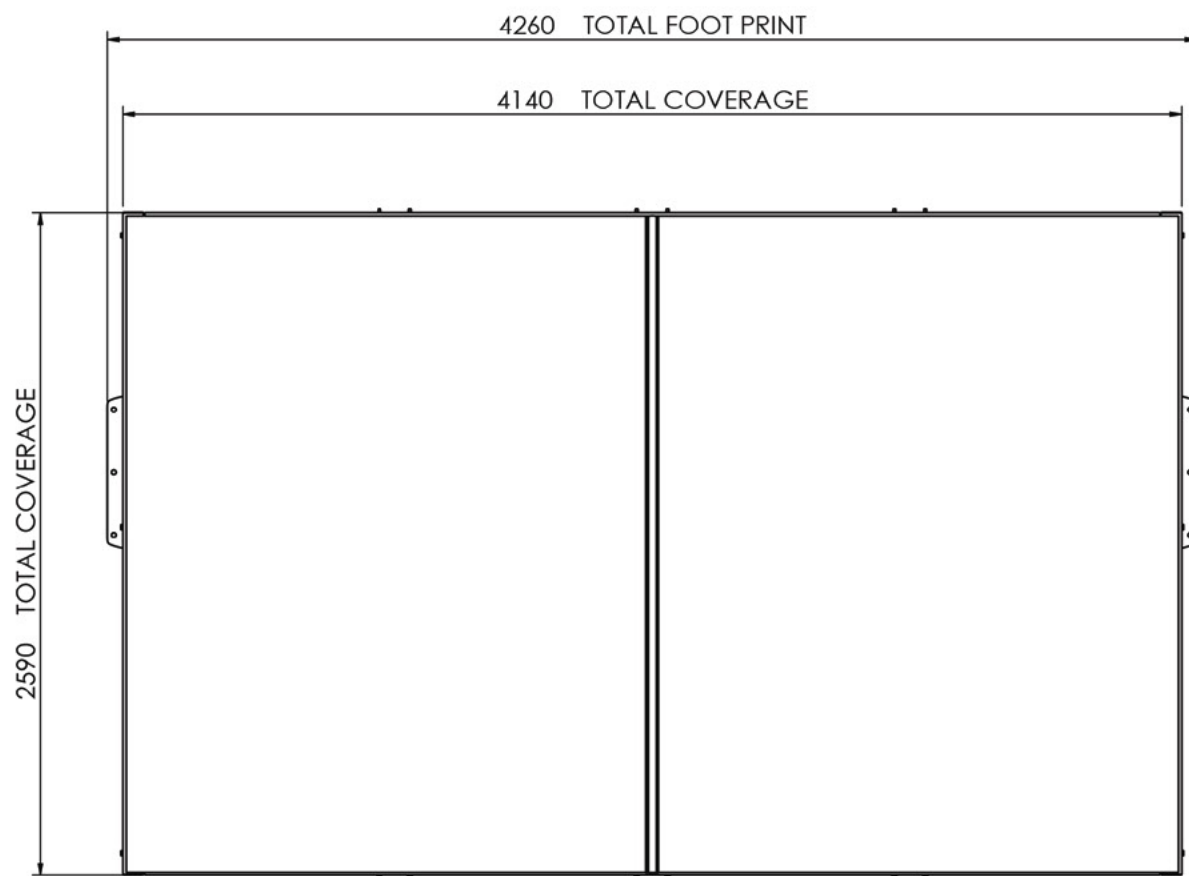


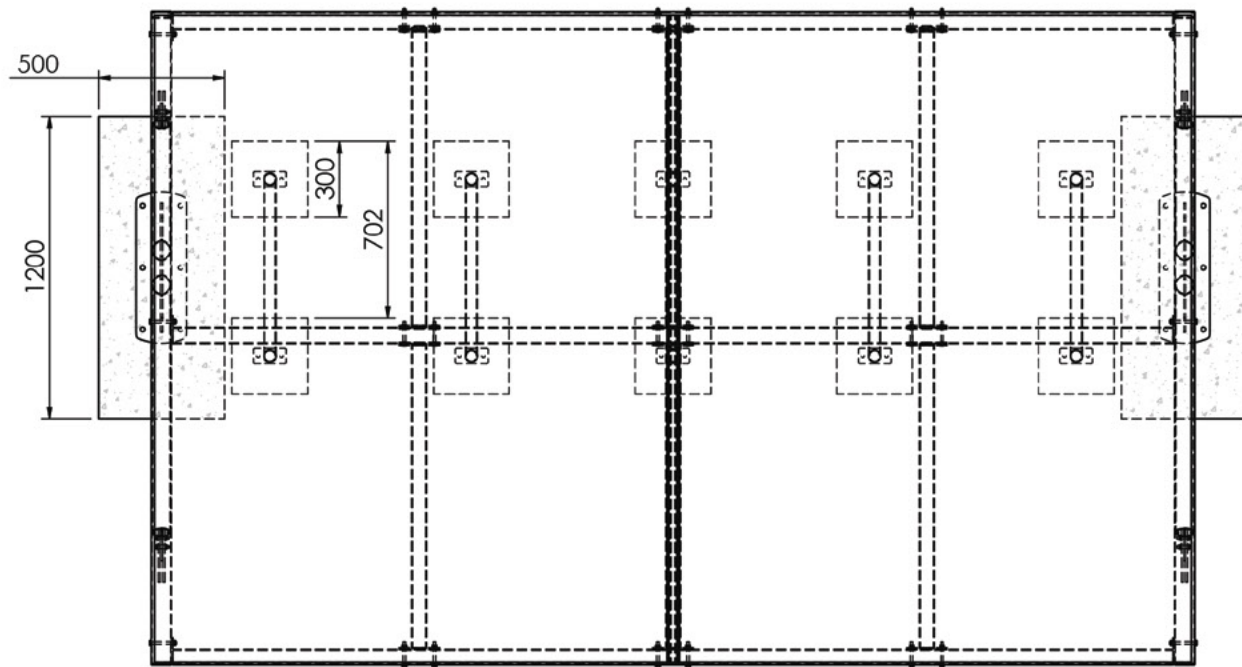
CUSTOMER APPROVAL ONLY



SHELTER IS EQUALLY SUITED FOR SURFACE, OR SUB-SURFACE MOUNTING TO MEET YOUR SITE REQUIREMENTS. LET US KNOW HOW YOU INTEND TO INSTALL YOUR EASTBROOK AND WE CAN MANUFACTURE ACCORDINGLY

FRAME IS STEEL THROUGHOUT AND IS HOT-DIP GALVANISED. WE CAN POLYESTER POWDER-COAT TO A COLOUR OF YOUR CHOICE ON REQUEST

EASTBROOK SHELTER WILL BE DELIVERED TO YOUR SITE WITH ALL FASTENERS NECESSARY FOR ASSEMBLY EXCLUDING FLOOR LEVEL ANCHORING FIXINGS, WHICH MUST BE SUPPLIED BY OTHERS



**FOOTING OPTION:**

RECOMMENDED Min. FOUNDATION AS SHOWN IN C16/20 CONCRETE . **LOCAL SITE ENGINEER TO DETERMINE APPROPRIATE SIZE AND COMPOSITION OF PAD BASED ON LOCAL GROUND CONDITIONS.**

**EACH FOOT** 6off Min. M16x150 RAWLBOLT / RESIN ANCHOR

**EACH CYCLE STAND** 4off Min. M12x120

**FULL SLAB OPTION:**

FULL WIDTH CONCRETE SLAB UNDERNEATH SHELTER REQUIRES STEEL REINFORCEMENT MESH.

APPROXIMATE TOTAL WEIGHT: **383.1 Kg**

