

BARRIER SYSTEM + HANDRAIL (DIG IN)

pittman[®]

OVERVIEW

The Barrier System is designed to provide durable, long-lasting protection in environments where vehicle and pedestrian segregation is required. Manufactured under quality control systems compliant with BS EN ISO 9001 and galvanised in accordance with BS EN ISO 1461, it combines corrugated steel beams, RSJ posts, and safety accessories to deliver a reliable solution. With the addition of a handrail extension, the system also enhances pedestrian guidance and support, making it ideal for areas with increased foot traffic.

Its robust construction resists wear and tear, providing peace of mind in busy worksites or public spaces. The high-quality galvanised finish ensures protection from the elements while maintaining compliance with recognised standards. Designed to integrate seamlessly with compatible components, this system offers a versatile, low-maintenance solution for creating tailored layouts that meet specific safety requirements.

PRODUCT FEATURES

- Robust construction ensures the beam resists wear and tear, providing peace of mind on even the busiest worksites or public spaces
- Choice of finish, Galvanised or Powder Coated Yellow (RAL 1007)
- Numerous ends to make safety seamless
- Suitable for warehouses, factories, car parks and logistic depots

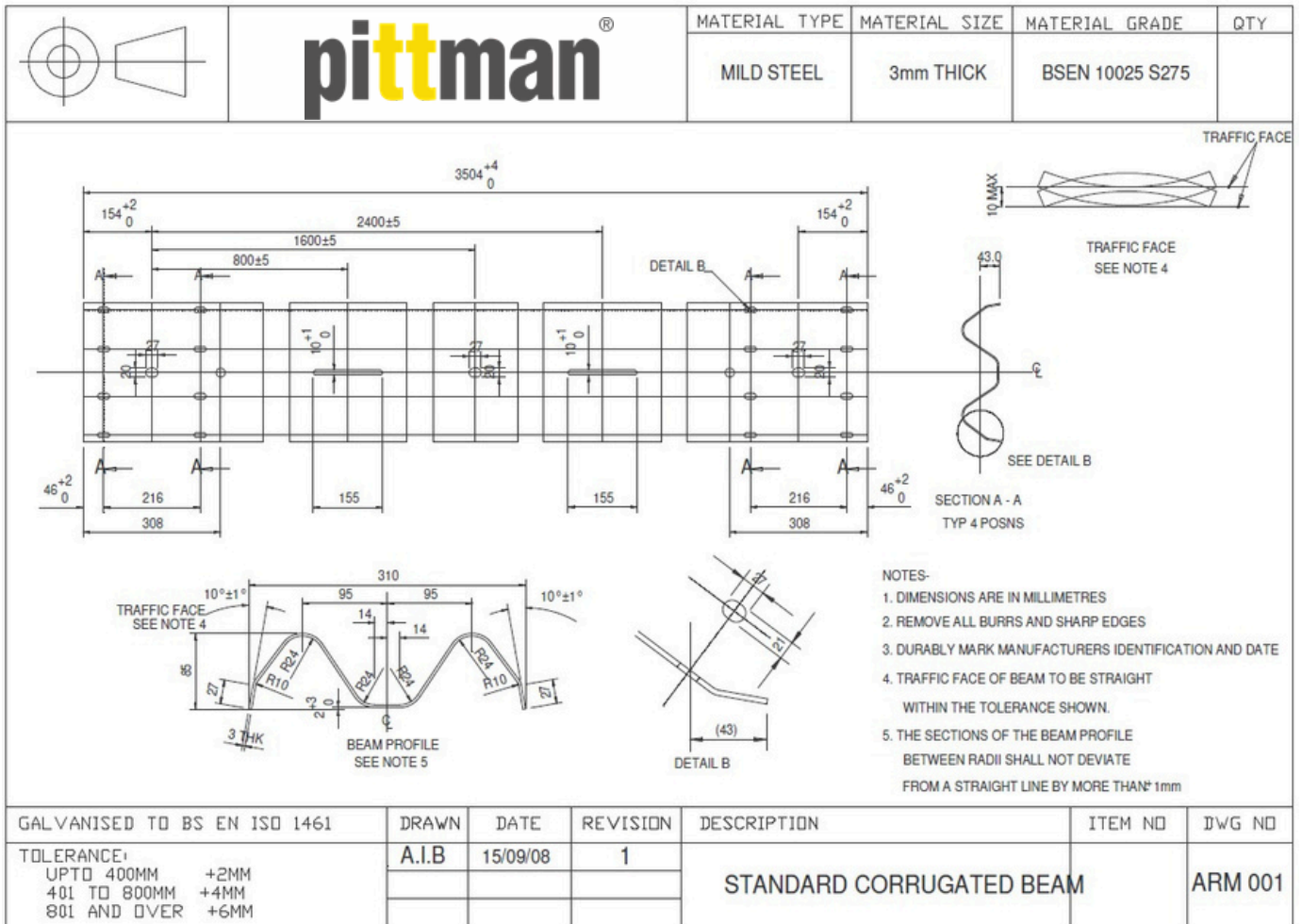


TECHNICAL DATA (3.2m Effective Straight Beam)



SPECIFICATIONS DETAILS

Product Code	SKU: 755698
Material	Hot-dip Galvanised Steel
Finish (Optional)	Galvanised or Powder Coated Yellow (RAL 1007)
Overall Length	3510mm
Effective Length	3200 mm
Height	310mm
Thickness	3 mm
Weight	40 kg
Base Plate	300 x 250mm
Fixings	(8) M16 x 35mm Post bolt for overlapping beams /connecting fishtails

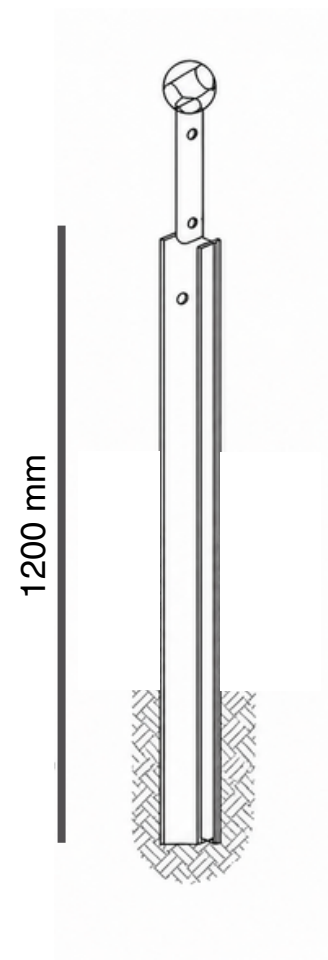
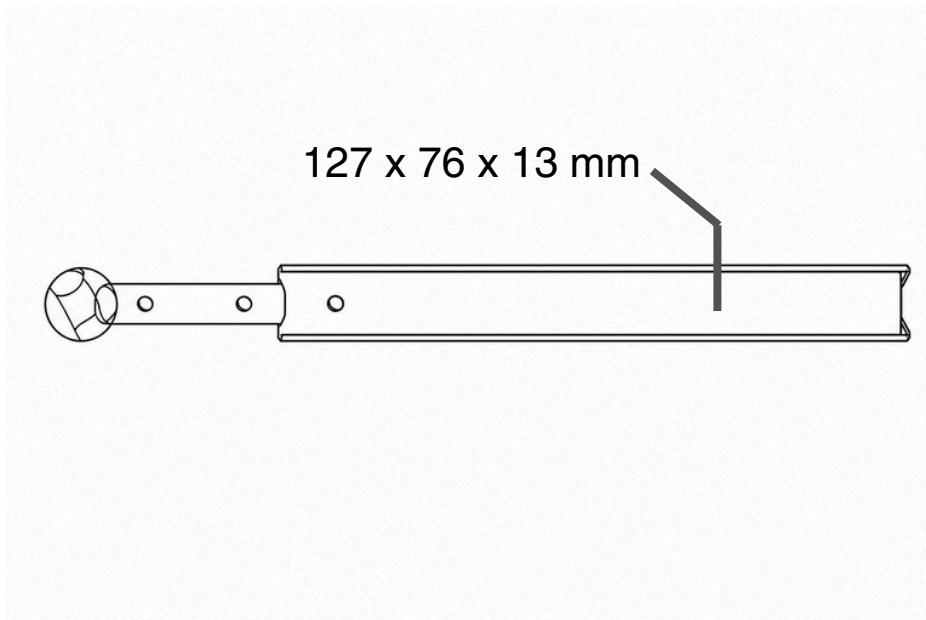


Dig in Handrail Post



SPECIFICATIONS	DETAILS
Product Code	
Material	Galvanised Steel
Height	1200 mm Post + Handrail
Width	76 mm
Depth	127 mm
Thickness	13 mm
Fixings	M16 x 50mm post to beam

2 x Handrial Posts



Handrail Pole

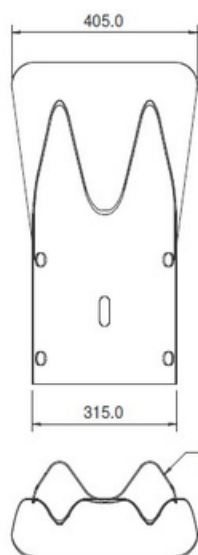


SPECIFICATIONS	DETAILS
Product Code	
Material	Galvanised Steel
Lenght	3200 mm
Diameter	48 mm

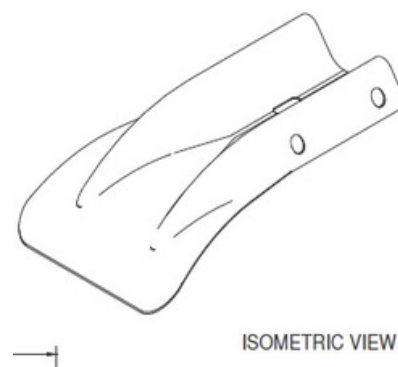
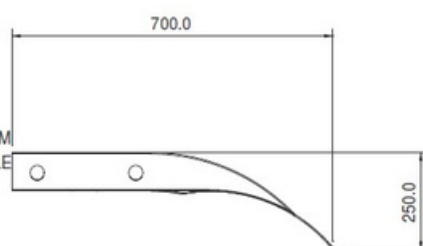
Fishtail End



SPECIFICATIONS	DETAILS
Product Code	SKU: 755701
Material	Galvanised Steel
Finnish (Optional)	Galvanised or Powder Coated Yellow (RAL 1007)
Height	250 mm
Width	405 mm
Lenght	700 mm
Colour	Yellow (RAL 1007)
Weight	16.25 kg
Use	Bolts onto beam end to protect against sharp edges
Fixings	8 x M16 x 35mm lap bolts



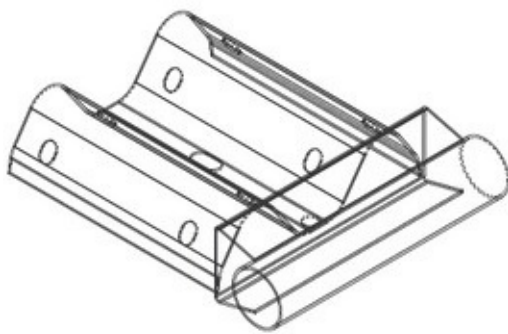
CORRUGATED BEAM
INTERLOCK PROFILE



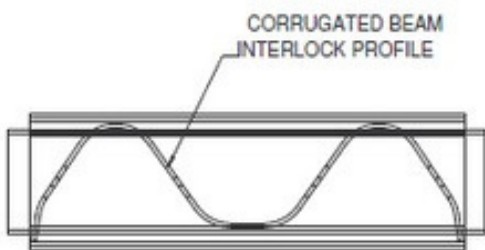
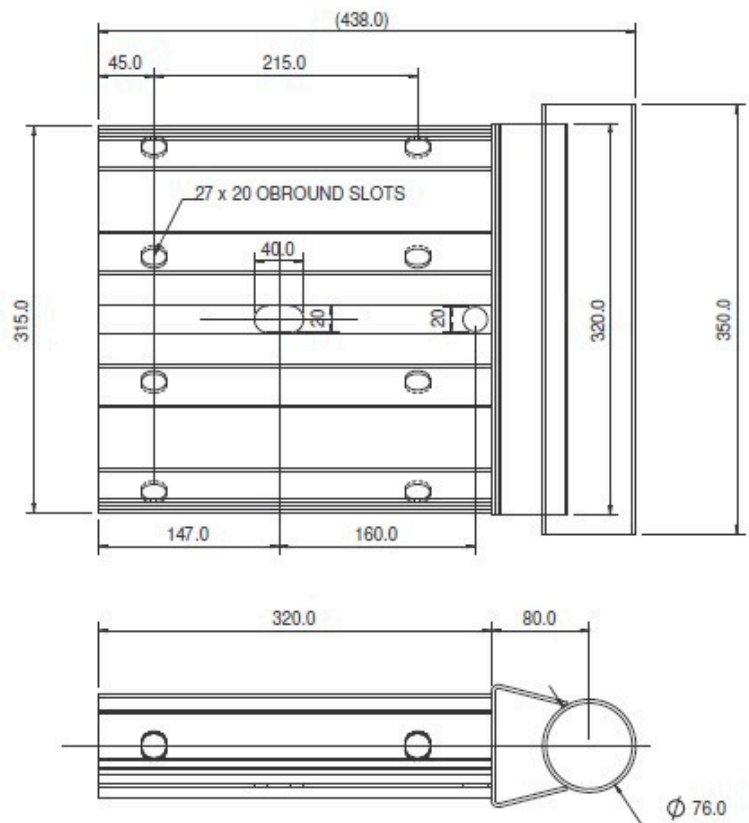
Pedestrian End



SPECIFICATIONS	DETAILS
Product Code	SKU: 755703
Material	Hot-dip Galvanised Steel
Height	315 mm
Width	438 mm
Depth	85 mm
Use	Rounded cover for beam ends
Fixings	8 x M16x50mm lap bolts



ISOMETRIC VIEW



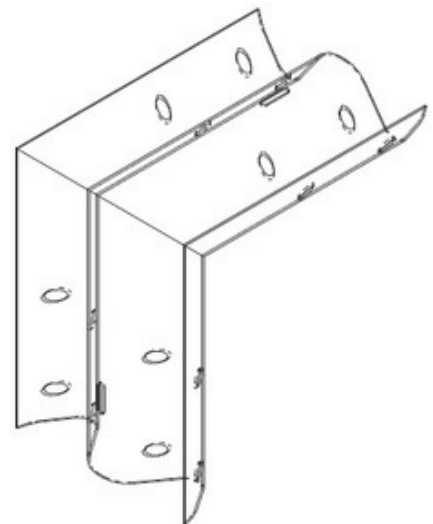
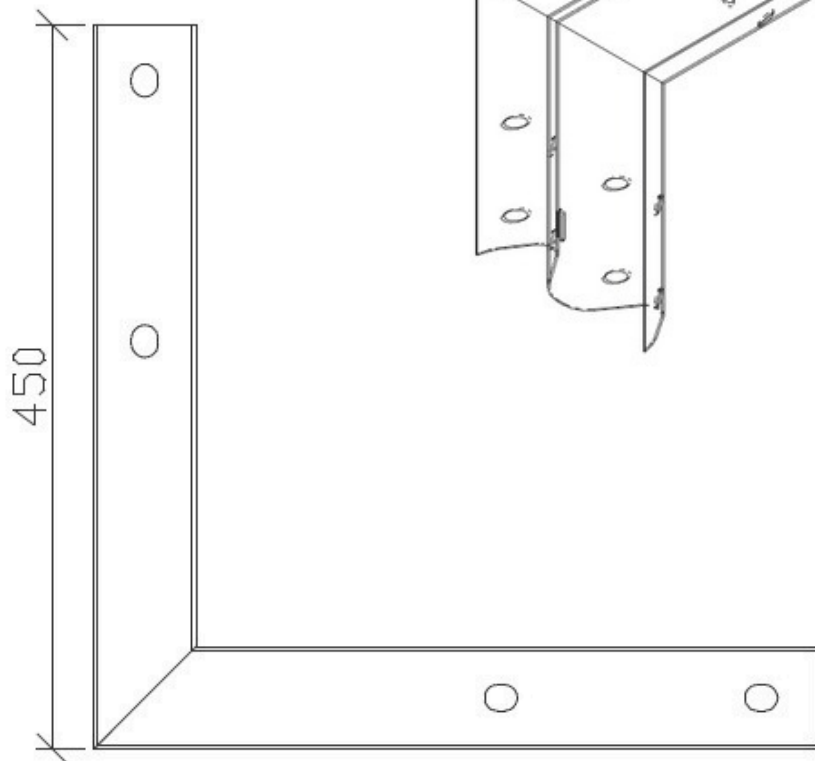
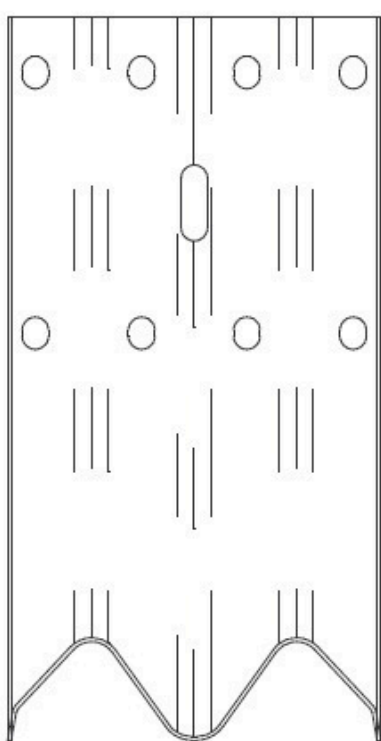
CORRUGATED BEAM INTERLOCK PROFILE



90° Internal Corner



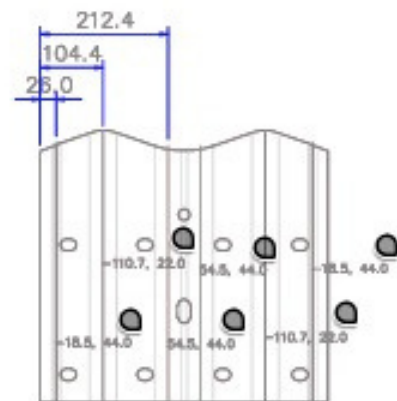
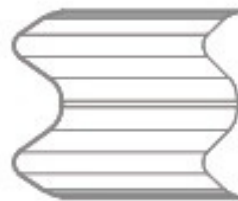
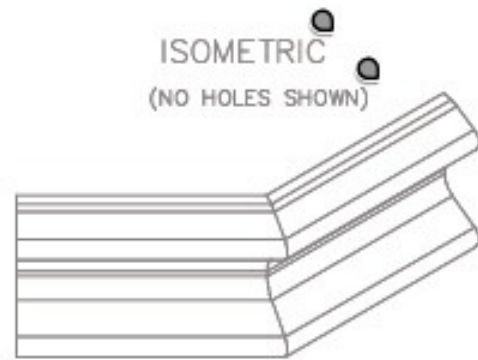
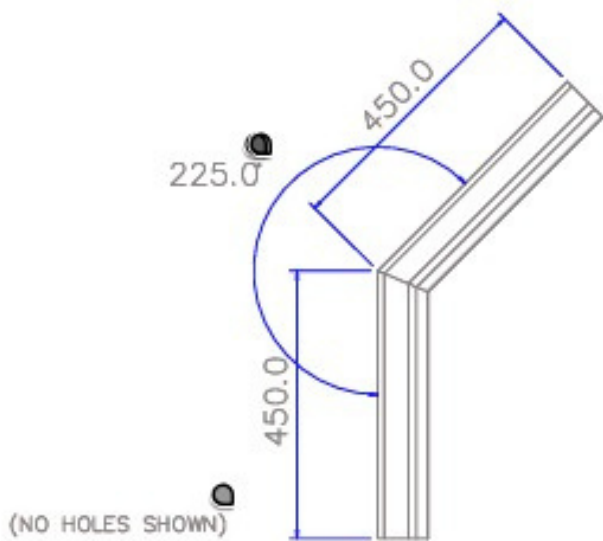
SPECIFICATIONS	DETAILS
Product Code	SKU: 755705
Material	Galvanised Steel
Height	315 mm
Width	450 mm
Length	450 mm
Fixing	8 x M16x35mm Lap Bolt



135° External Corner



SPECIFICATIONS	DETAILS
Product Code	SKU: 755704
Material	Galvanised Steel
Height	315 mm
Width	450 mm
Length	450 mm
Fixing	8 x M16x35mm Lap Bolt



DEVELOPMENT



Yellow Polymer Pedestrian End with Reflectors



SPECIFICATIONS	DETAILS
Product Code	SKU: 797889
Material	Polyethylene
Height	375 mm
Width	108 mm
Depth	165 mm

Yellow Polymer Safe End with reflectors



SPECIFICATIONS	DETAILS
Product Code	SKU: 797878
Material	Polyethylene
Height	332 mm
Width	94 mm
Depth	105 mm

Plastic RSJ Post Cap



SPECIFICATIONS	DETAILS
Product Code	SKU: 755700
Material	PVC
Height	35 mm
Width	127 mm
Length	76 mm

PVC Beam End Sleeve



SPECIFICATIONS	DETAILS
Product Code	SKU: 755700
Material	Polyethylene
Height	400 mm
Length	280 mm
Width	2 mm
Use	Slots on to the beam to cover sharp edges Fixings: None Required

Installation

Barrier systems shall be installed on a suitable, level concrete foundation or approved substrate capable of supporting system loads.

Installation procedure:

Set out:

Mark the barrier line using string or chalk lines. Posts shall be positioned at 1600mm centres.

Drill and fix posts:

Mark fixing positions using string or chalk lines. Excavate holes to required size (typically 180–300mm square x 600–700mm deep). Position posts and set in concrete or Postcrete. Ensure posts are level and aligned. Do not fully secure until beams are in place.

Install beams:

Fix beams to posts using M16 x 50mm galvanised post bolts. Connect beam overlaps using M16 x 35mm galvanised lap bolts. Leave all fixings loose.

Fit accessories:

Install corner sections and end terminals as required. Corners shall be supported by posts on both sides.

Align and secure:

Check line and level, then fully tighten all fixings, including anchor bolts.

Handrail installation:

Install handrail to bolt-down handrail posts after the barrier has been aligned and secured. Handrails are fixed directly to the posts and do not attach to beam sections.

Cutting and finishing (if required):

Cut beams using suitable equipment and treat any exposed steel with a zinc-rich coating.

Installation shall be carried out by a minimum of two operatives in accordance with relevant health and safety requirements. The performance of the system is dependent on the adequacy of the supporting ground or structure. This system is designed for use in controlled environments and is not suitable for roadside or highway applications.

Maintenance:

The barrier system shall be subject to periodic visual inspection to ensure continued performance and safety.

Checks should include fixings, alignment, and signs of damage or corrosion. Any loose fixings shall be tightened, and damaged components repaired or replaced as required. Exposed steel surfaces shall be treated with a zinc-rich coating to maintain protection.

