

**Product Specification Sheet**

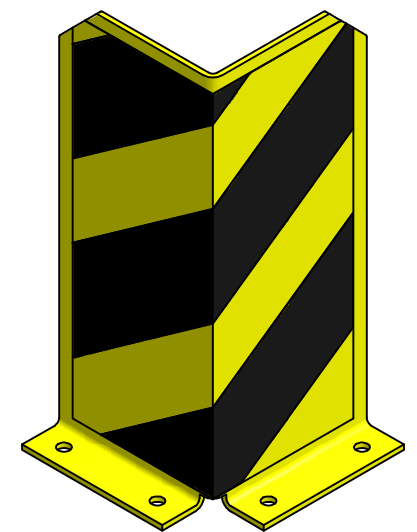
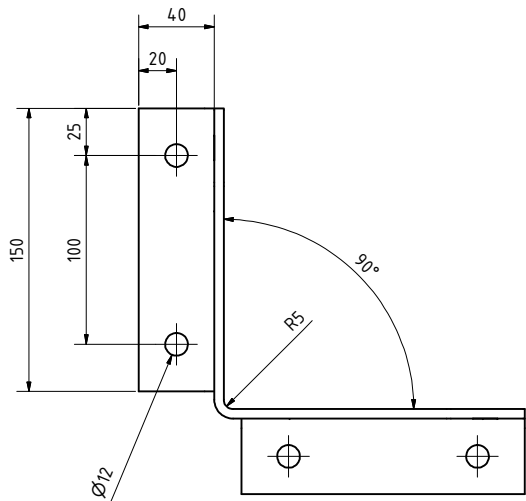
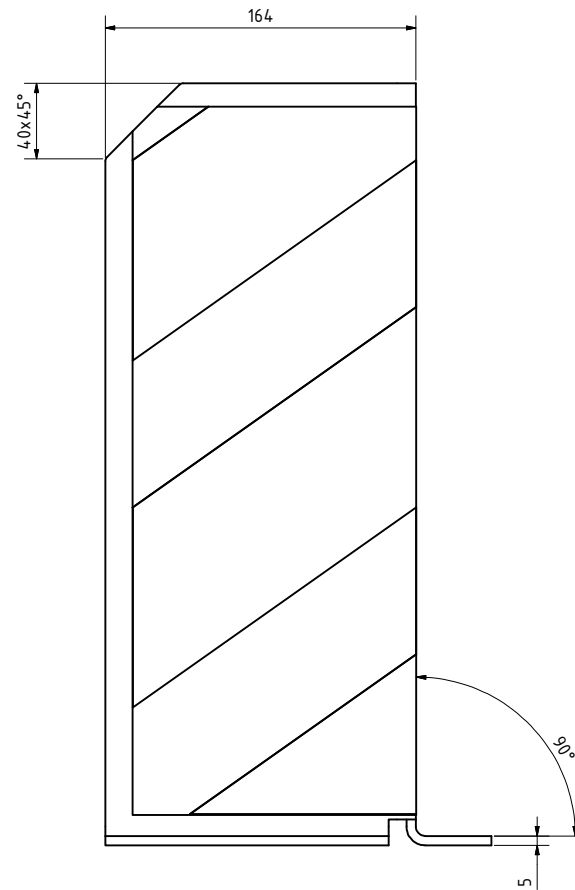
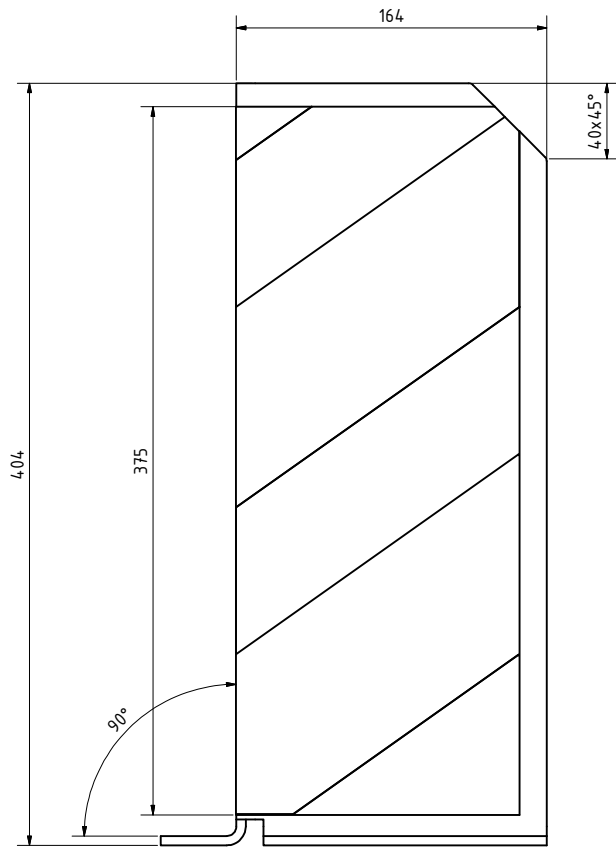
Product name – Defender Right Angle Pallet Rack Protection



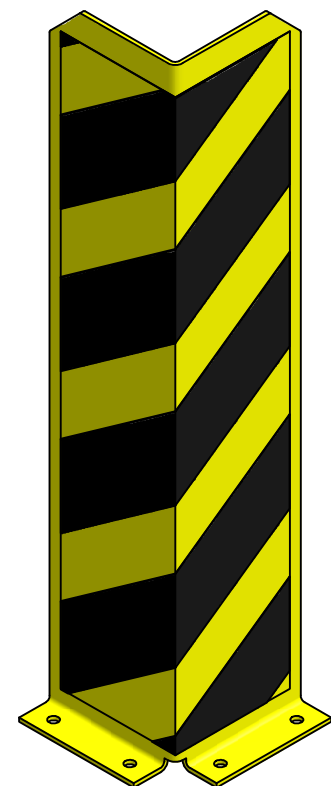
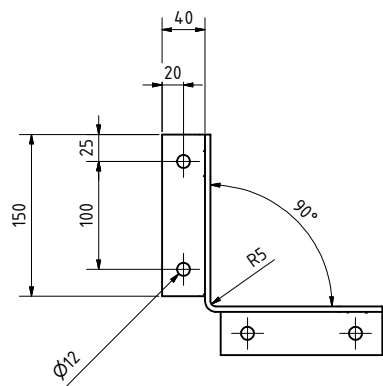
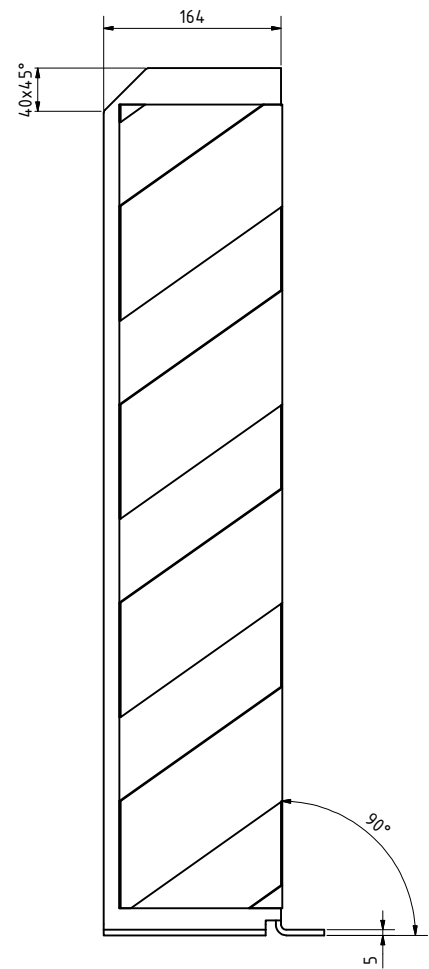
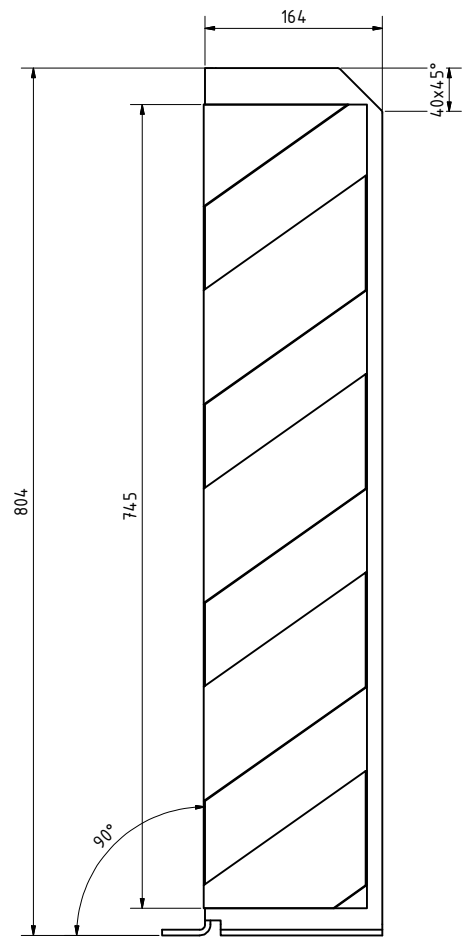
Manufacturer / Brand	Schake
Warranty	1 year manufacturer's warranty
Material	Steel with powder coat finish
Components	Single piece protector
Dimensions	400(h) x 164(w) x 164(d)mm 800(h) x 164(w) x 164(d)mm 1200(h) x 164(w) x 164(d)mm
Features	Hot-dip galvanised steel - protected against rusting Bolt down format for easy install on site Highly visible powder coated design Protect columns and racking from impact damage

**Ireland:**  
B2 Athy Business Campus  
Athy, Co. Kildare R14 PK74  
Ph: 01 531 2777  
Email: [sales@pittman.ie](mailto:sales@pittman.ie)

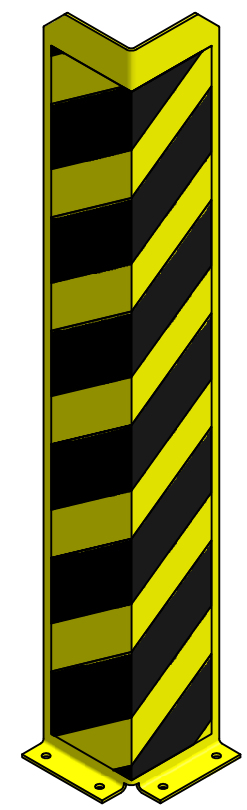
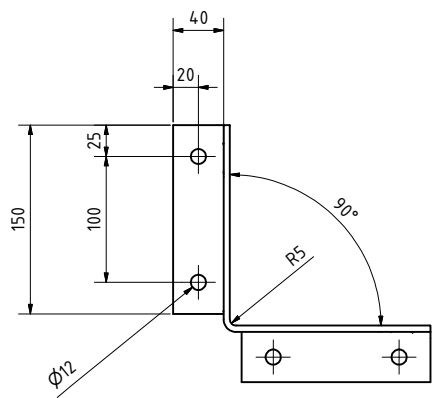
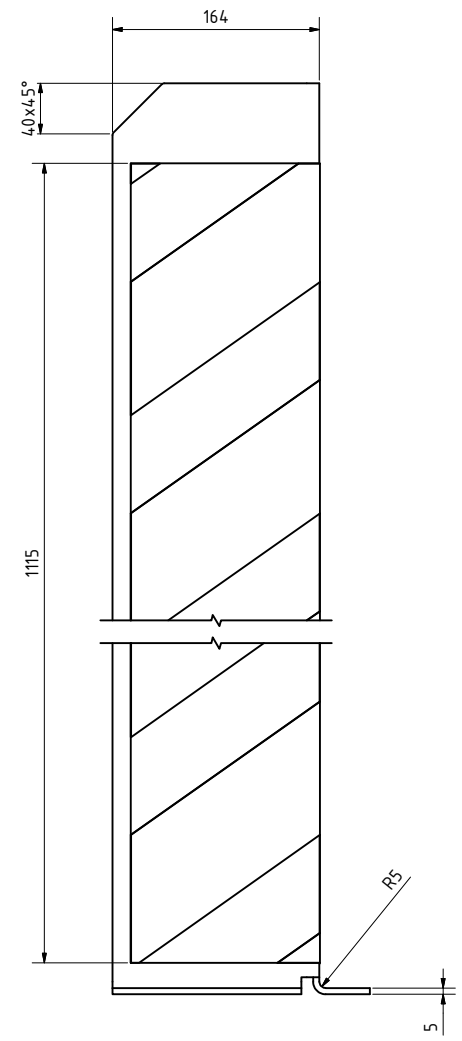
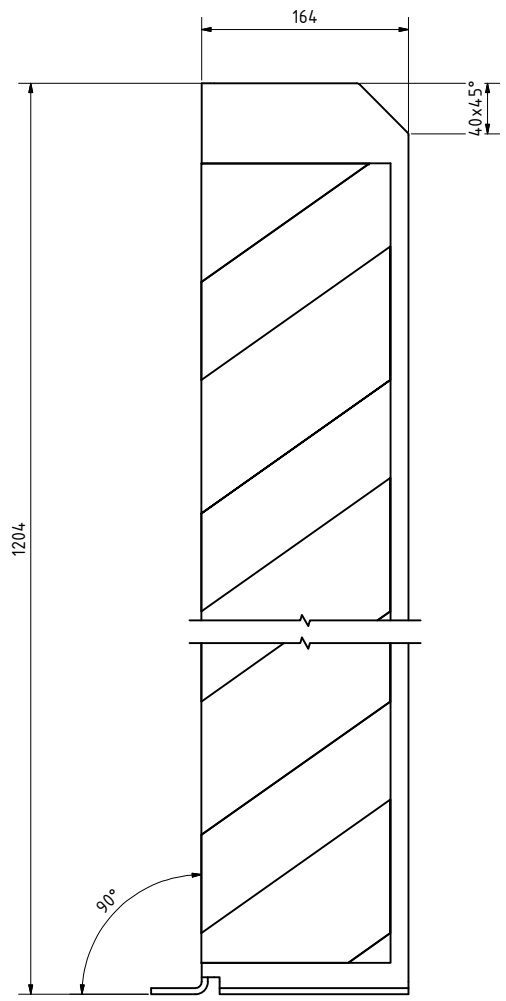
**United Kingdom:**  
1310 Solihull Parkway, Birmingham Business Park  
Birmingham B37 7YB  
Ph: 0121 630 3527  
[sales@pittman.uk](mailto:sales@pittman.uk)



Schake GmbH 58089 Hagen Eckeseyer Str. 195		Copyright reserved	produced on DIN ISO 2768-1 v	mass
date 29.01.2016		name rhodza	surface gelb pulverbeschichtet	material
drawn by		checked	title Anfahrerschutzwinkel 90°	
no.		norm	no. of drawing 477_85B_KdZn	
status	modification	date	name	1 A2



Schake GmbH 58089 Hagen Eckeseyer Str. 195		Copyright reserved	produced on DIN ISO 2768-1 v	mass
date 29.01.2016		name rhodza	surface gelb pulverbeschichtet	material
drawn by		checked	title Anfahrtschutzwinkel 90°	
norm		no. of drawing 4.77_86B_KdZn		
status	modification	date	name	1 A2



Schake GmbH 58089 Hagen Eckeseyer Str. 195		Copyright reserved	produced on DIN ISO 2768-1 v	mass
date 29.01.2016		name rhodza	surface gelb pulverbeschichtet	material
drawn by		checked	title Anfahrerschutzwinkel 90°	
norm		no. of drawing 4.77_87B_KdZn		
status	modification	date	name	1 A2