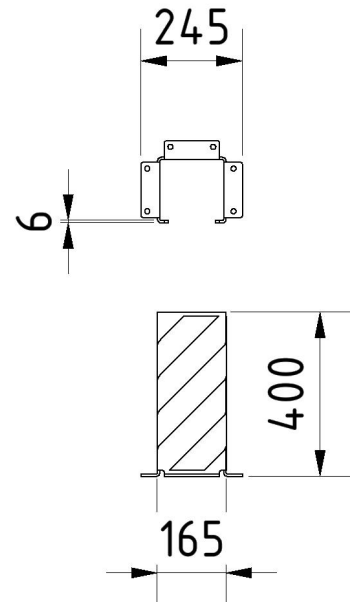


## Item number: 477\_91B

Crash guard U-shape with reinforced edges



### item description:

Crash guard - U-shape, sheet steel 6mm, height 400mm, leg length 160mm, powder coated yellow with black warning stripes

### designated purpose:

For securing factory premises, machinery and equipment or driveways.

### technical specifications:

weight: 11,50 kg/pc  
material:  
S235 JR

surface:  
hot dipped galvanized and powder coated