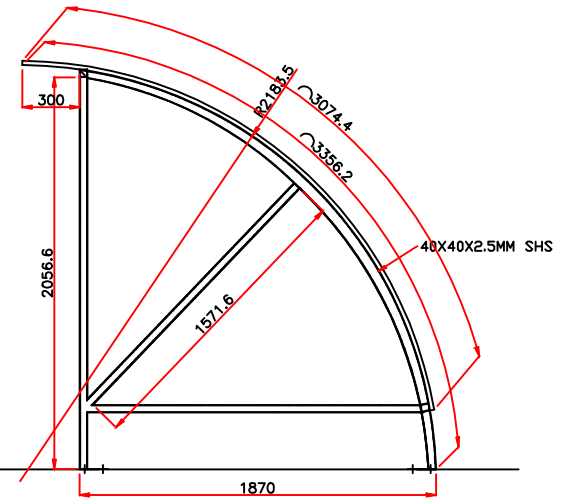
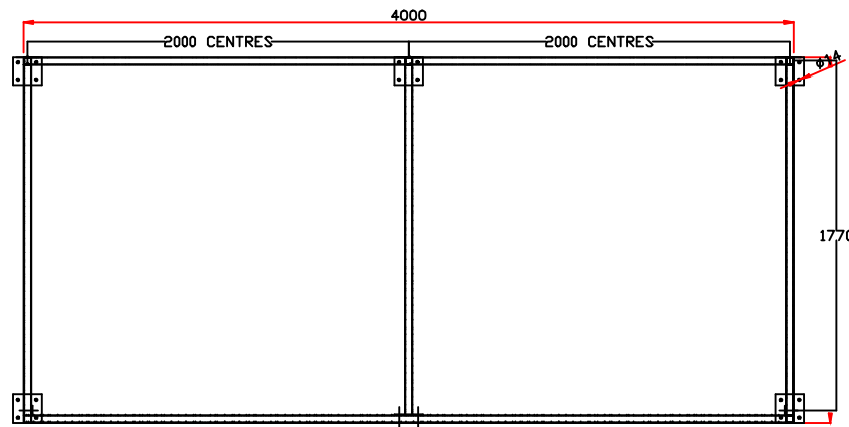


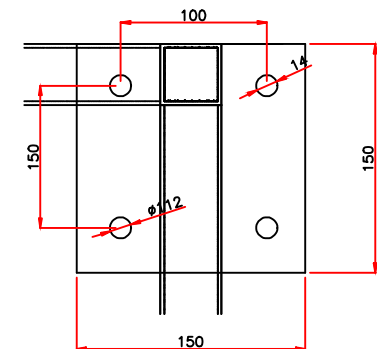
ELEVATION




SECTION



PLAN



BASE PLATE DETAIL
SCALE 1-30

MARK	SECTION	GRADE	Qty	LENGTH	AREA M2	WEIGHT KG	REVISIONS	DATE	PROJECT
MATERIAL LIST FOR WORKSHOP							TOTAL		
CHECKED T.A.M	DRAWN T.A.M	SCALE N.T.S	DATE 14/10/15	DRG NO.		REV.		 DRAWING CYCLE SHELTER 