



## Product Specification Sheet

Product name – Eco Bike Shelter

*Product code*

*Model*

712116

*Bike Shelter*

712117

*Bike Shelter- Extension 1970mm*



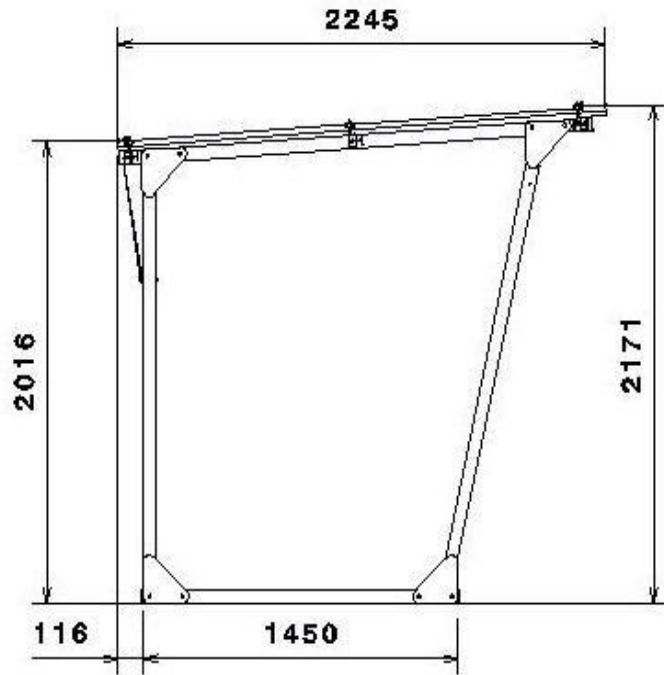
Manufacturer / Brand	Mottez
Warranty	1 Year manufacturer's warranty
Material	Galvanised steel frame with corrugated steel roof
Components	Main bike shelter frame Corrugated steel roof Optional bike shelter extension
Dimensions	1970(L) x 2245(D) x 2171(H) mm 60 x 30 mm Ø tube
Features	Lightweight steel design Easy installation – flat-packed Optional extension – extend by extra 1970mm at a time Infinite extensions possible if required Bolt down fast – fixings not included 4.4m <sup>2</sup> covered area

**Ireland:**

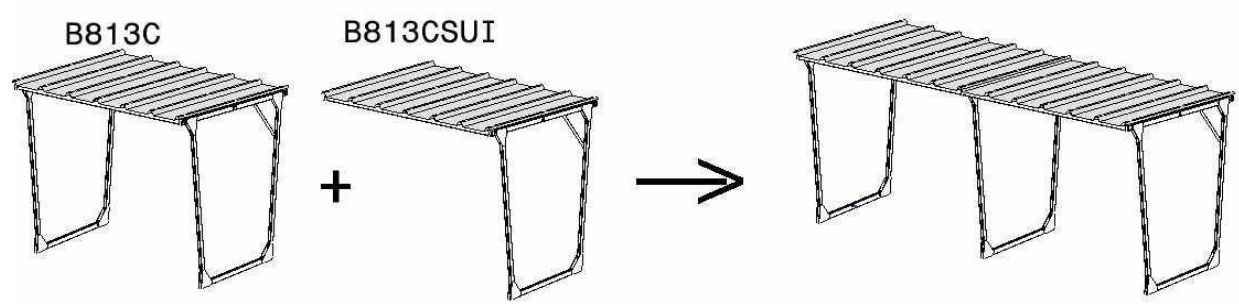
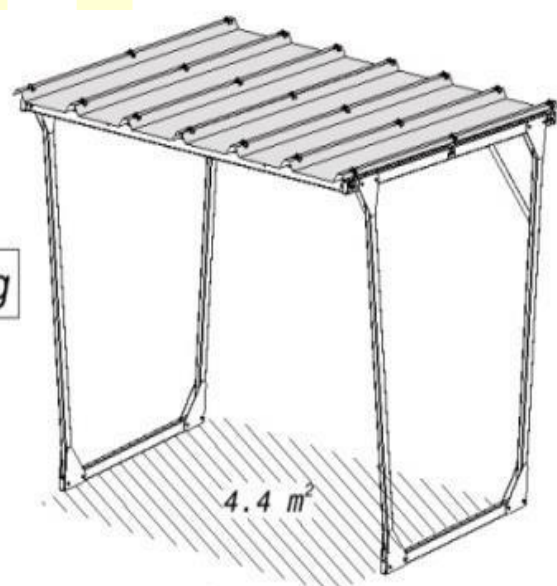
B2 Athy Business Campus  
Athy, Co. Kildare R14 PK74  
Ph: 01 531 2777  
Email: [sales@pittman.ie](mailto:sales@pittman.ie)

**United Kingdom:**

1310 Solihull Parkway, Birmingham Business Park  
Birmingham B37 7YB  
Ph: 0121 630 3527  
[sales@pittman.uk](mailto:sales@pittman.uk)



63 Kg



**Ireland:**  
B2 Athy Business Campus  
Athy, Co. Kildare R14 PK74  
Ph: 01 531 2777  
Email: [sales@pittman.ie](mailto:sales@pittman.ie)

**United Kingdom:**  
1310 Solihull Parkway, Birmingham Business Park  
Birmingham B37 7YB  
Ph: 0121 630 3527  
[sales@pittman.uk](mailto:sales@pittman.uk)