



Product Code: 714019

GHP SEMI-VERTICAL BIKE RACK

6-HEAD

Durable, Space Efficient Bike Storage

pittman[®]

OVERVIEW

The GHP Semi Vertical Bike Rack is the perfect solution for keeping your bikes secure and organized while maximizing space. With its clever high-low design, it easily accommodates up to 6 bikes without crowding or tangling handlebars.

Built for durability, this rack ensures long-lasting protection against the elements, being rust and corrosion-resistant. Its thoughtful design allows you to simply roll the bike wheels into place for quick and effortless storage. Plus, the built-in locking hoops add an extra layer of security, giving you peace of mind.

The rack bolts securely into concrete, providing a stable and reliable foundation. Whether for a home, office, or public space, this bike rack is a smart and practical choice.

PRODUCT FEATURES

- Weather-resistant steel - made with hot-dip galvanised carbon steel
- Maximise space - the high-low design optimises storage and prevents handlebar collisions.
- Enhanced security - built in locking hoops for additional security.
- Effortless access - simply roll the wheels into the track for smooth storage.
- Stable and secure installation directly into concrete.

TECHNICAL DATA

SPECIFICATION	DETAILS
Material:	Hot-dip galvanised steel
Color:	Plain steel
Height:	1495mm
Length	1840mm
Width:	1209mm
Fixing hole size	14mm
Fixings Required:	Hexagonal cylindrical head bolts - M8 x 55mm (Included)
	Ground fixings - M10 x 10mm expansion bolts (Not Included)
Applications	Indoor and outdoor bike storage - small to large scale



HEAVY-DUTY HARDWARE

Ensures the device is safely fixed to the road.



BUILT-IN LOCKING HOOP

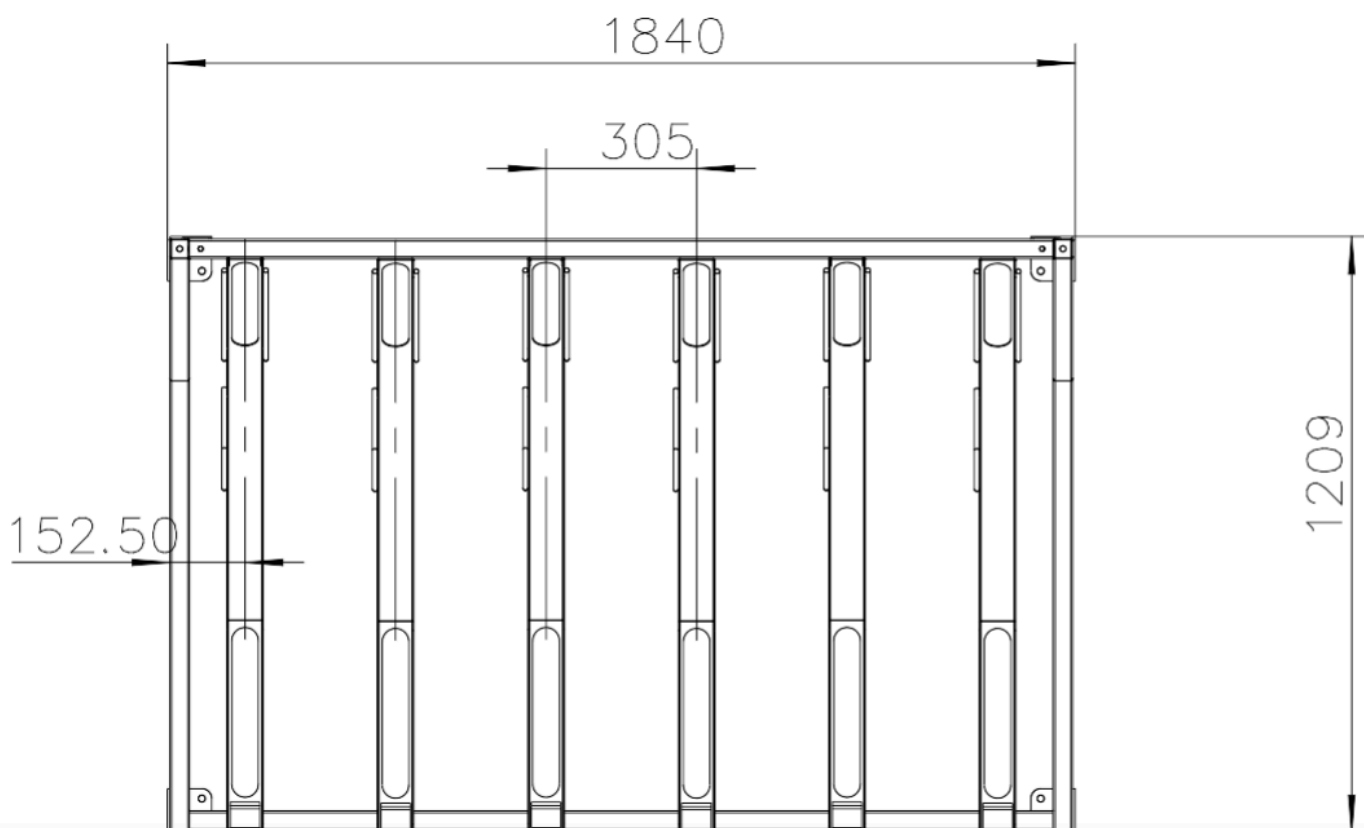
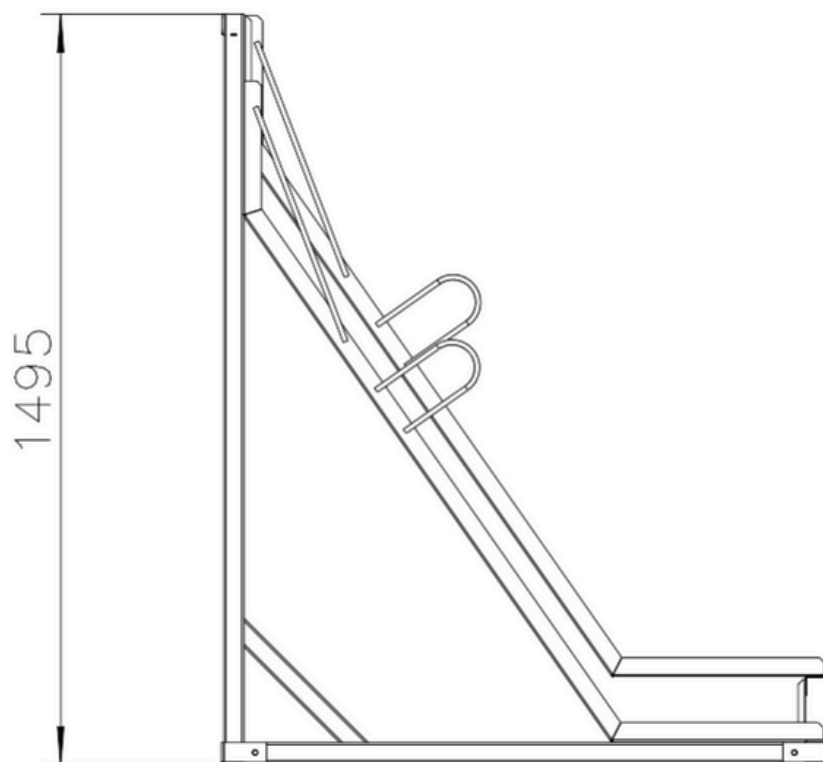
Secure your bike to the rack for peace of mind.



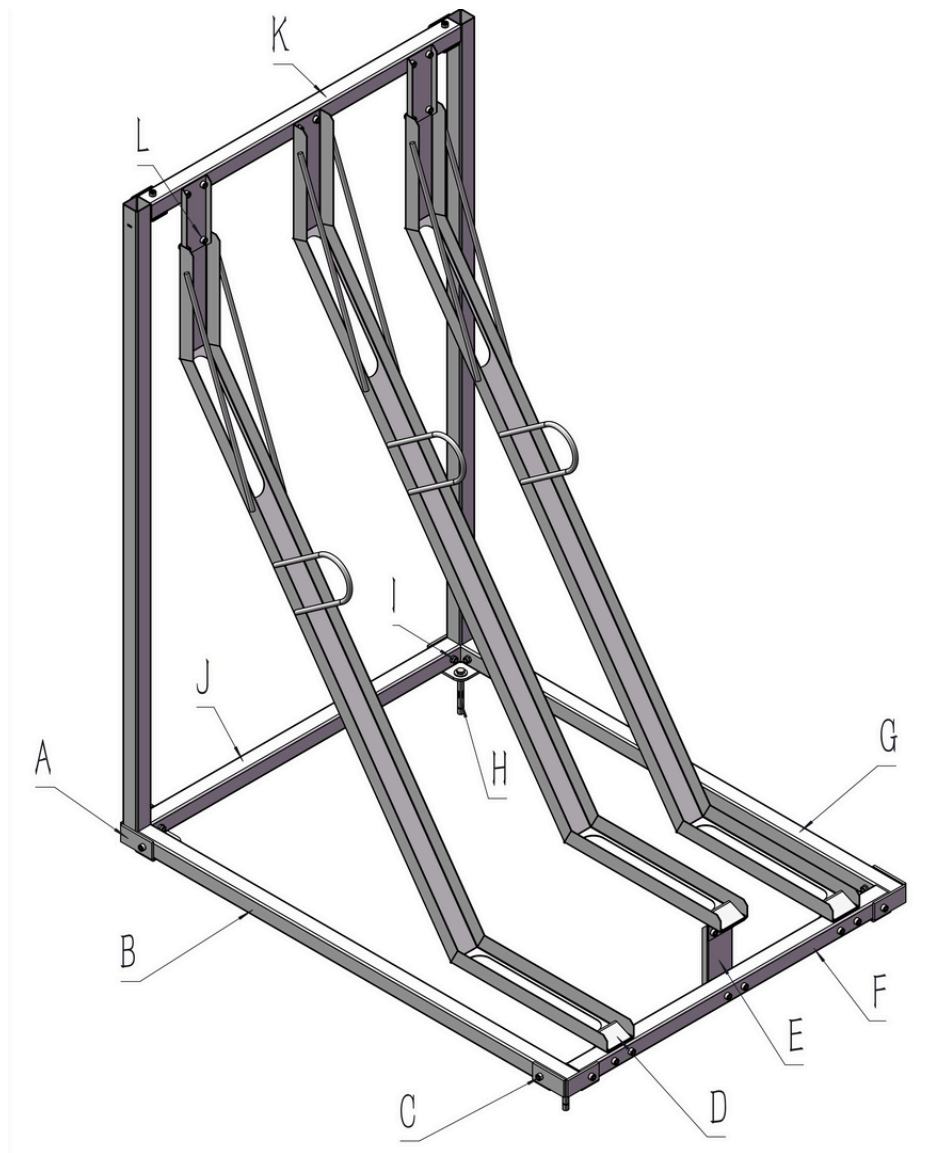
INSTRUCTIONS FOR USE

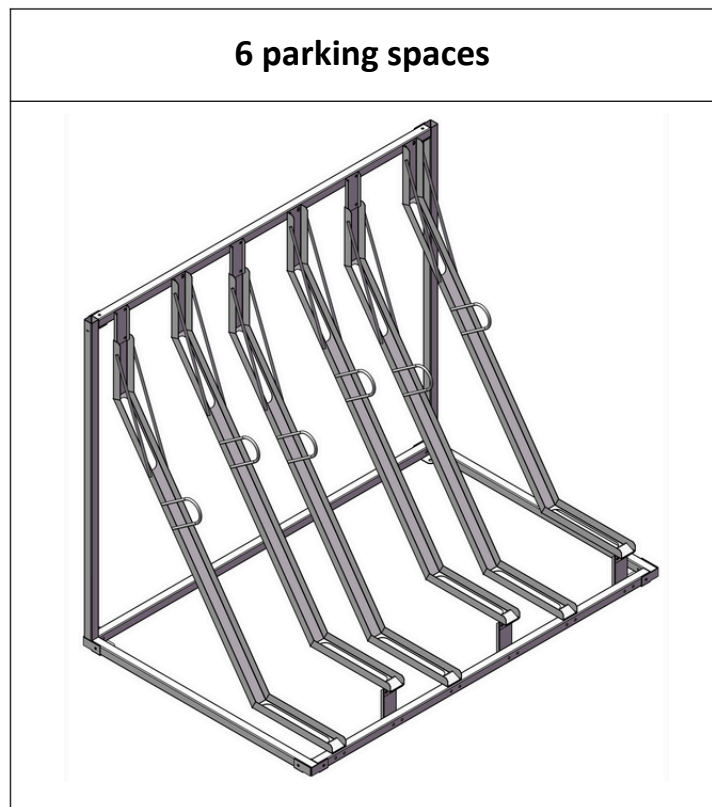
- 1. Assess the Area:** Measure the area to ensure there is enough height, width and depth for the rack. At least 2 metres of empty space is needed in front of the rack to allow the bikes to roll off easily.
- 2. Assemble the Rack:** Using the assembly instructions, put the rack together.
- 3. Mark the Area:** Move the rack into the area you intend to install it. Mark out the holes for installing the rack.
- 4. Drill the Holes:** Drill the holes required for installation. We recommend bolting the rack onto concrete for maximum stability.
- 5. Install the Rack:** Line up the rack with the drilled holes and bolt it securely into place using the ground fixings supplied.
- 6. Ready for Use:** Once installed, the rack is ready to use immediately.

DRAWINGS

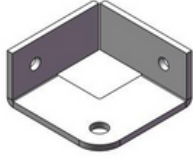
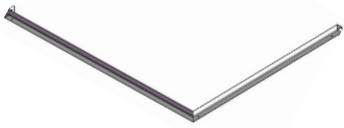

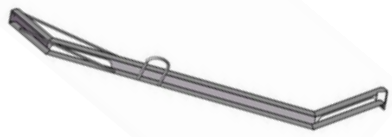




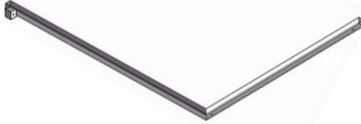

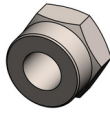
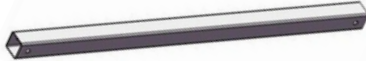


INSTALLATION INSTRUCTIONS





List of installation accessories(2/3/4/5parking spaces)

Code	Spare parts Name	picture	QTY
A	Base bending parts		4
B	Left stand post		1
C	Internal hexagonal cylindrical head bolt (M8*55)		2 parking spaces: 18
			3 parking spaces: 22
			4 parking spaces: 26
			5 parking spaces: 30
			6 parking spaces: 34
D	Parking space		2 parking spaces: 2
			3 parking spaces: 3
			4 parking spaces: 4
			5 parking spaces: 5
			6 parking spaces: 6

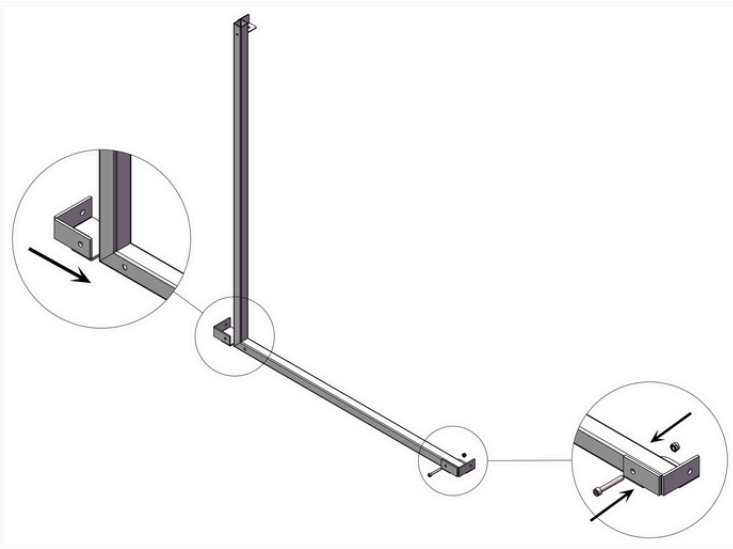
E	Support plate		2 parking spaces: 1
			3 parking spaces: 1
			4 parking spaces: 2
			5 parking spaces: 2
			6 parking spaces: 3
F	Bottom pipe (front)		1
G	Right stand post		1
H	Expansion screws (M10*100)		4
I	Jam nut (M8)		2 parking spaces: 22
			3 parking spaces: 28
			4 parking spaces: 34
			5 parking spaces: 40
			6 parking spaces: 46
J	Bottom pipe (rear)		1
K	Crossbeam tube		1
L	Internal hexagonal cylindrical head bolt (M8*16)		2 parking spaces: 4
			3 parking spaces: 6
			4 parking spaces: 8
			5 parking spaces: 10
			6 parking spaces: 12

List of other accessories

ITEM NO.	Designation	QTY.	Remarks
1	Marking pen	1	Own
2	Pistol drill	1	Own
3	Ruler	1	Own
4	14 # Open end wrench	1	Own
5	6#Allen key	1	Own

Assembly steps

Step 1



A	
B	
C	
I	

Step 2



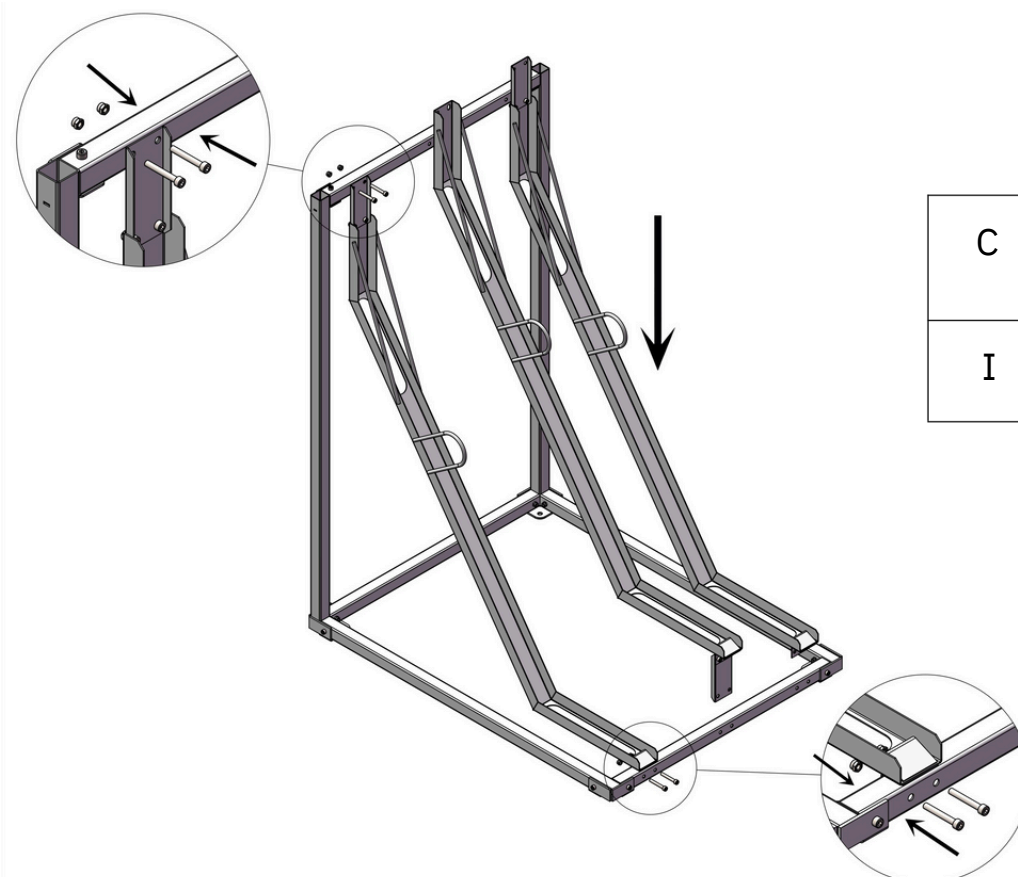
A	
C	
F	
G	
I	
J	
K	

Step3



D	
E	
I	
L	

Step4



C	
I	

Step5

