

Product Specification Sheet

Product name – GHP Stainless Removable Bollard 76mm Ø



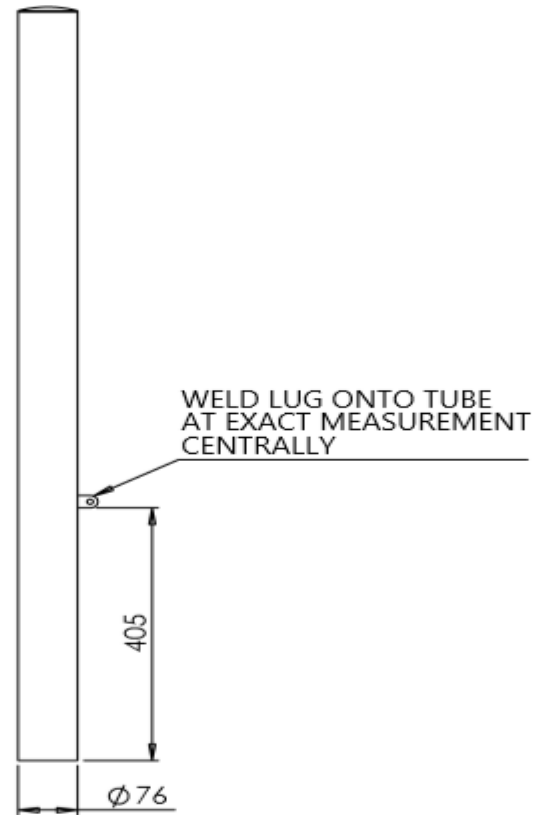
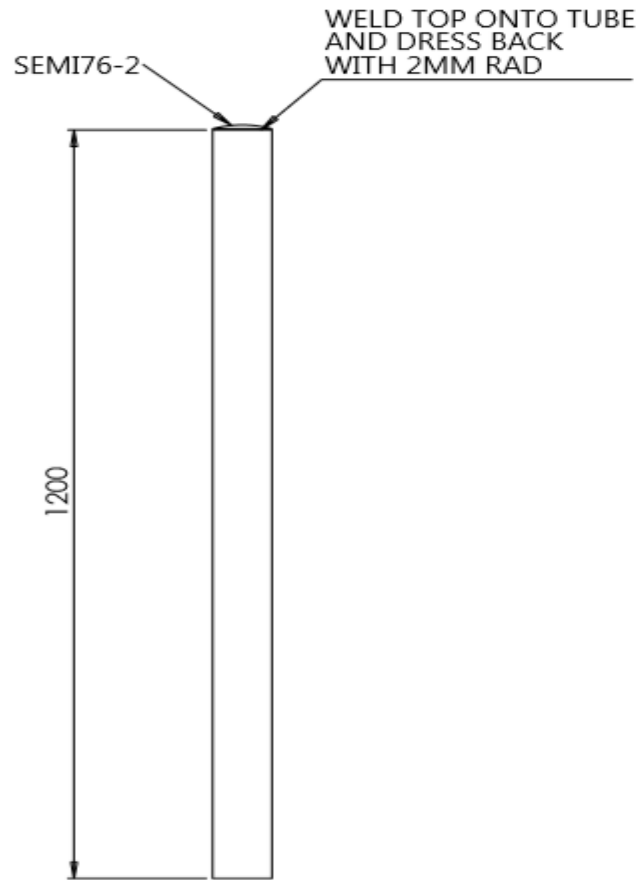
Manufacturer / Brand	MG Metal Design
Warranty	1 year manufacturer's warranty
Material	304 grade stainless steel
Components	Bollard with ground socket
Dimensions	1200(h) x 76(Ø)mm
Features	Easy installation directly into the ground socket Integral hasp to lock with standard padlocks 304 grade stainless steel – rust and corrosion resistant Integral anchor bars on socket – excellent stability in ground

Ireland:
B2 Athy Business Campus
Athy, Co. Kildare R14 PK74
Ph: 01 531 2777
Email: sales@pittman.ie

United Kingdom:
1310 Solihull Parkway, Birmingham Business Park
Birmingham B37 7YB
Ph: 0121 630 3527
sales@pittman.uk

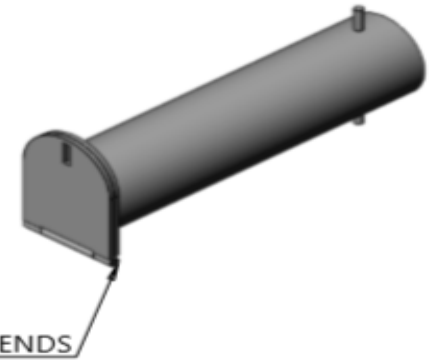
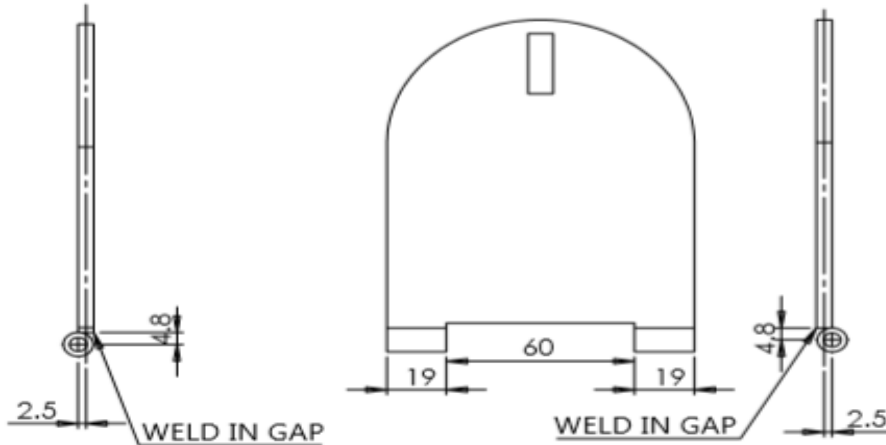
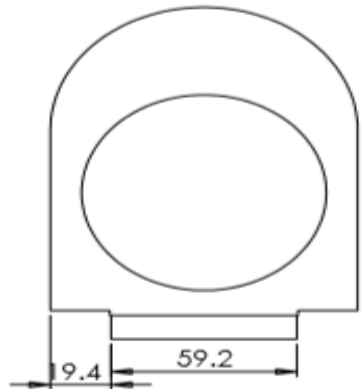
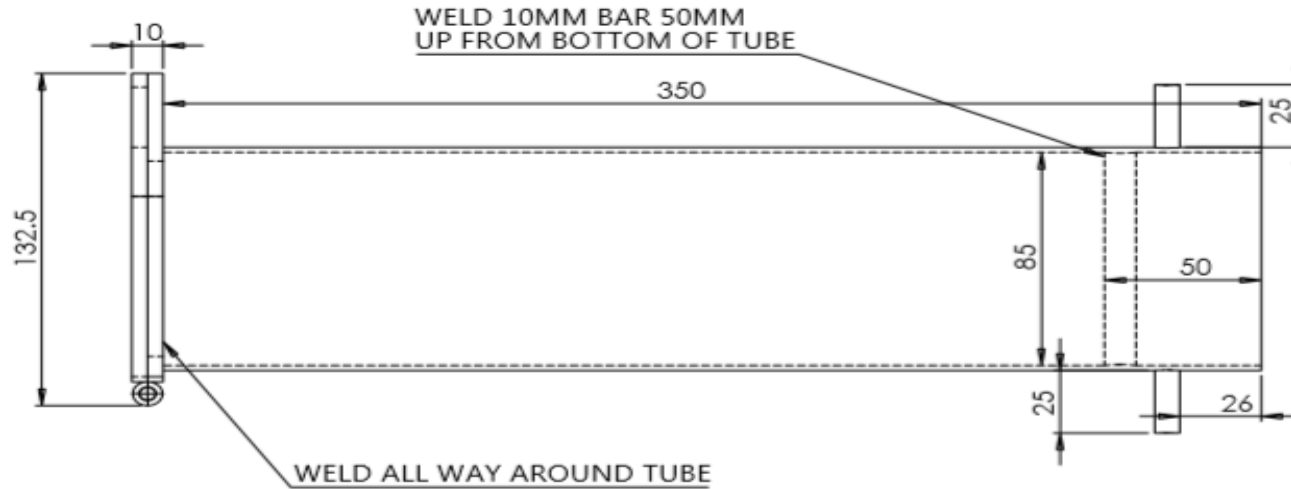
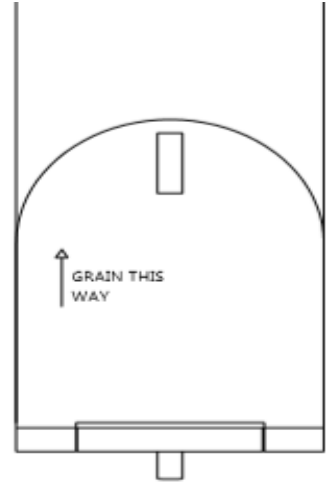


ITEM NO.	PART NUMBER	QTY.
1	Tube 76 x 2 x 1200 Long	1
2	SEMI76-2	1
3	LUG20	1



DESURE AND BREAK SHARP EDGES DO NOT SCALE DRAWING UNLESS OTHERWISE SPECIFIED, DIMENSIONS ARE IN MILLIMETERS TOLERANCES: LINEAR±0.1MM ANGULAR±1DEG	DRAWN: CAB	DATE: 01/09/15	REVISION: A
	TITLE: BOLLARD 76 ϕ X 1200MM SEMI DOME REMOVABLE		
	DWG NO. BOL-76-D1200-R-0		
	FINISH: SEE JOB SHEET	SCALE: 1:8	A3
	MATERIAL: SEE B.O.M		SHEET 1 OF 1

pittman®



PIN PARTS TOGETHER WITH 5MM ROUND BAR AND WELD ENDS

ITEM NO.	PART NUMBER	QTY/TOTAL LENGTH	CUTS
1	SKT 76 BASE 304/316	1	
2	SKT 76 LID 304/316	1	
3	TUBE 3/8" X 2MM 316	97MM	2 x 19MM, 1 x 59MM
4	ROUND BAR 5MM 304/316	98MM	
5	TUBE 89 X 2MM 304/316 DP	350MM	
6	ROUND BAR 10MM 304/316	85MM	
7	ROUND BAR 8MM 304/316	50MM	2 x 25MM

UNLESS OTHERWISE SPECIFIED: DIMENSIONS ARE IN MILLIMETERS SURFACE FINISH: TOLERANCES: LINEAR: ANGULAR:				FINISH: SEE JOB SHEET		DESURE AND BREAK SHARP EDGES		DO NOT SCALE DRAWING		REVISION	
										A	
DRAWN	CAS	SIGNATURE	DATE							TITLE	
CHKD	CAS		08.06.18							76 SOCKET ASSEMBLY	
APPVD			08.06.18							DWG NO.	
MFG										SKT-76-304-MG/SKT-76-316-MG	
QA										A3	
				MATERIAL: SEE JOB SHEET						SCALE 1:2	
				WEIGHT:						SHEET 1 OF 1	