



GHP STAINLESS REMOVABLE BOLLARD 76MM Ø

pittman[®]

OVERVIEW

The Pittman GHP Stainless Removable Bollard is a robust and versatile access control solution designed to help restrict unauthorised vehicle entry while allowing quick and convenient access when required. Manufactured from high-quality 304 grade stainless steel, it combines strength, durability, and corrosion resistance with a clean, professional appearance suitable for a wide range of environments.

Featuring a removable design and secure ground socket system, the bollard can be easily removed by authorised users and reinstalled when access control is needed. The integrated socket cover helps maintain a neat finish when the bollard is not in use. Ideal for commercial premises, car parks, pedestrian areas, business parks, schools, and public spaces, the GHP Stainless Removable Bollard provides a practical and dependable solution where security, flexibility, and aesthetics are equally important. Bollard.

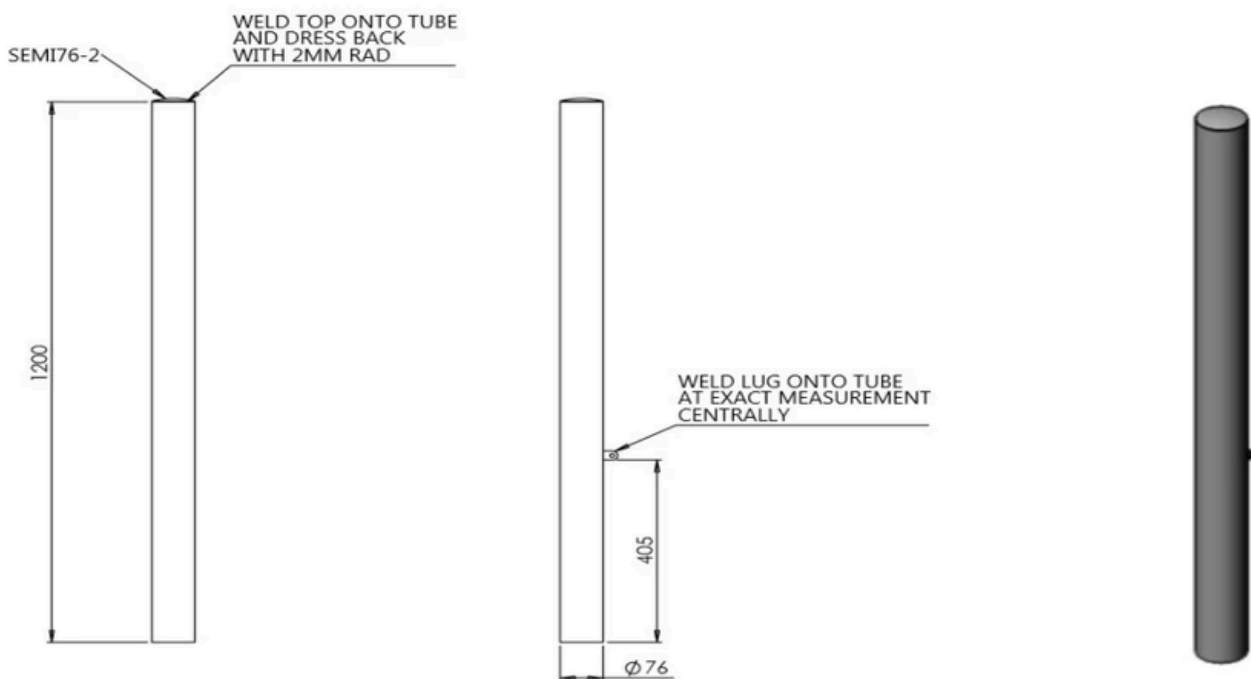
FEATURES

- Manufactured from high-quality 304 grade stainless steel for excellent durability and corrosion resistance.
- Removable design allows authorised vehicle access when required while helping to control restricted areas.
- Secure lockable ground socket system ensures the bollard remains firmly in position when installed.
- Brushed stainless steel finish provides a modern, professional appearance suitable for a wide range of environments.

TECHNICAL DATA

SPECIFICATIONS	DETAILS
Product Code	SKU: 746531
Height	1200 mm
Diameter	76 mm Ø
Material	304 grade stainless steel
Components	Bollard with ground socket
Above Ground Height	850 mm

DRAWINGS

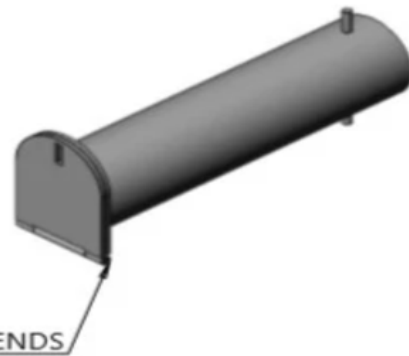
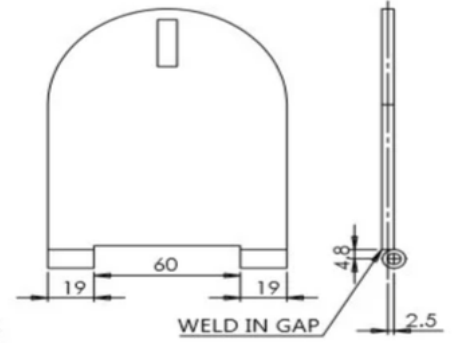
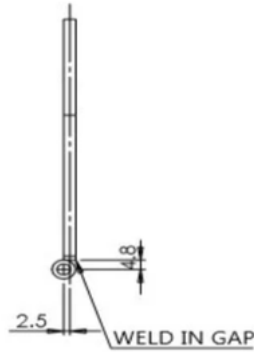
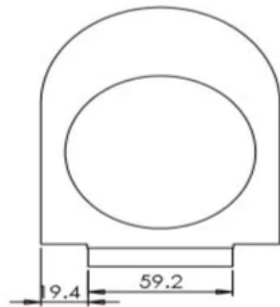


ITEM NO.	PART NUMBER	QTY.
1	Tube 76 x 2 x 1200 Long	1
2	SEMI76-2	1
3	LUG20	1

DESURE AND BREAK SHARP EDGES DO NOT SCALE DRAWING UNLESS OTHERWISE SPECIFIED DIMENSIONS ARE IN MILLIMETERS TOLERANCES: LINEAR ±0.10MM ANGULAR ±1.0 DEG	DRAWN: CAB DATE: 01/09/15 REVISION: A
	TITLE: BOLLARD 76 Ø X 1200MM SEMI DOME REMOVABLE
	DWG NO: BOL-76-D1200-R-0
	FINISH: SEE JOB SHEET SCALE: 1:8 A3
MATERIAL: SEE B.O.M. SHEET 1 OF 1	

DRAWINGS

ITEM NO.	PART NUMBER	QTY/TOTAL LENGTH	CUTS
1	SKT 76 BASE 304/316	1	
2	SKT 76 LID 304/316	1	
3	TUBE 3/8" X 2MM 316	97MM	2 x 19MM, 1 x 59MM
4	ROUND BAR 5MM 304/316	98MM	
5	TUBE 89 X 2MM 304/316 DP	350MM	
6	ROUND BAR 10MM 304/316	85MM	
7	ROUND BAR 8MM 304/316	50MM	2 x 25MM



PIN PARTS TOGETHER WITH 5MM ROUND BAR AND WELD ENDS

