

®

lower Support Rail I



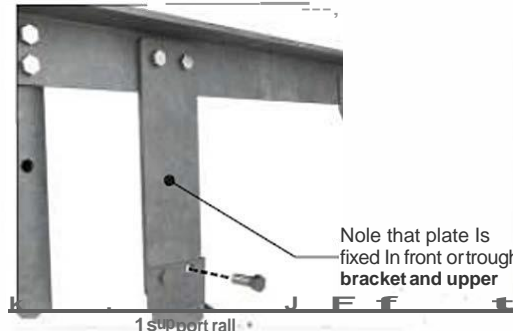
Fit 1 no M8 x 65mm fixing bolts

@ Upper Support Rail



Fit 1 no M8 x 65mm fixing bolts

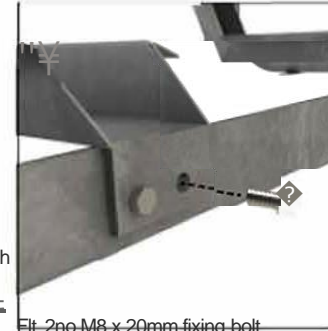
@ Lower Trough



Fit 4 no M8 x 20mm Oxling bolts

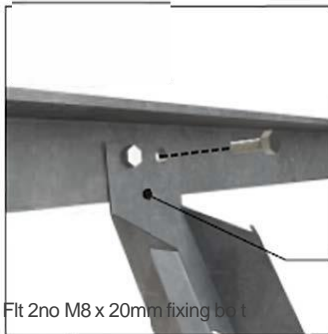
Note that plate is fixed in front of trough bracket and upper

@ lower Trough Bottom



Fit 2 no M8 x 20mm fixing bolt

@ Upper Trough Top



Fit 2 no M8 x 20mm fixing bolts

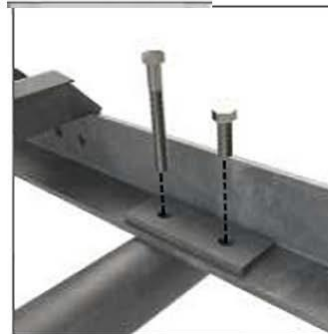
Note that trough bracket is fixed in front of upper support rail

® Upper Trough Bottom

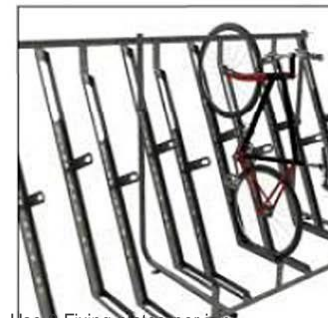
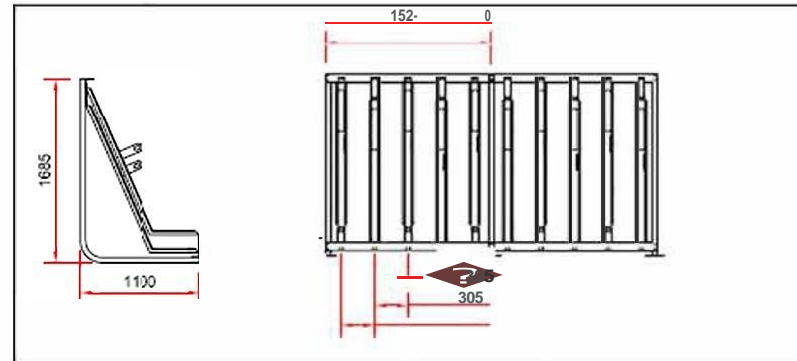


Fit 4 no M8 x 20mm Oxling bolts

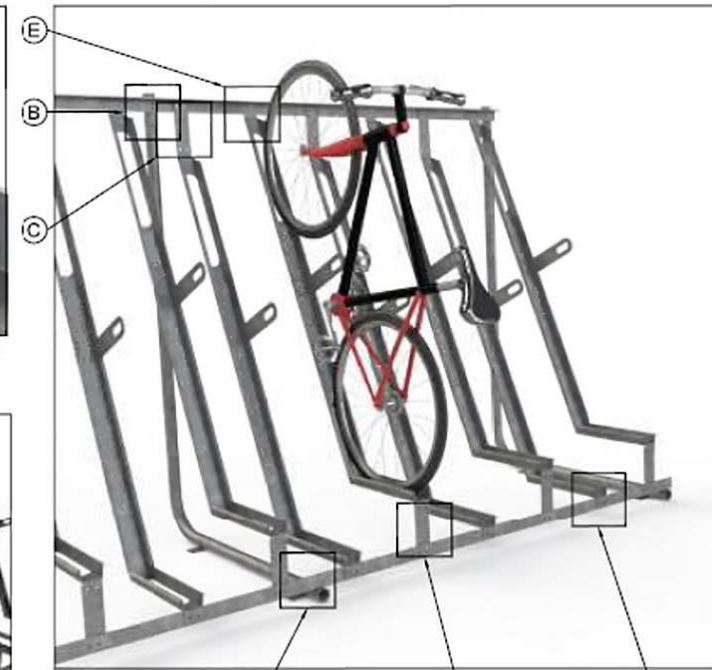
@ lower Support Rail Join



Fit 1 no M8 x 65mm & 1 no M8 x 20mm fixing bolt



Use 2 Fixing plates per join (both upper and lower support rails)



Fully Installed

⬠ shaped leg support must be included at least every 6 bike positions