

Sheffield Cycle Stand

Sheffield Cycle Stands are the cyclists favourite for bike storage solutions.

Allows bikes to be locked in place via their frame for increased security against theft.

Made with a 48.3mm wide steel tube with a 2.5mm wall thickness.

Hot-dip galvanised for increased protection against rusting.

Unrivalled build quality and stability.



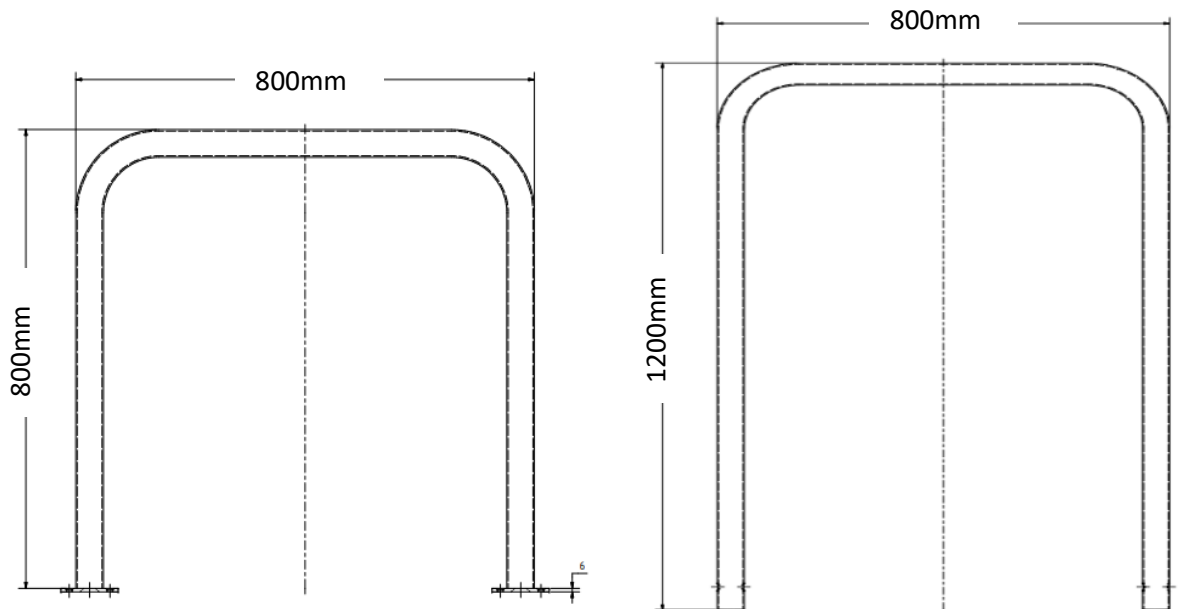
Options

Available in a surface mounted version with base plates or root fix version to be set in concrete.

Stainless steel version also available – choose from 304 and 316 grade.

Optional Turbo coachscrew sets for surface mount install. Sub-surface mount includes anchor bars.

Call our sales team for other requirements.



Sheffield Cycle Stand – Surface Mount Installation Instructions

1. Mark the area you are installing the cycle stands with a drill. For best results install onto a pre-existing concrete pad.
2. Drill the holes for the fixings using a 16mm drillbit. Drill down far enough for the fixing to be inserted into the plug (approximately 110mm deep).
3. Insert the rawplugs into the holes by hammering them into position. Make sure they are flush with the surface.
4. Once the rawplugs are in place reposition the cycle stand accordingly
5. Tighten the coacscrews into place the cycle stand is in a firm state.

Sheffield Cycle Stand – Sub-Surface Mount Installation options

1. Excavate 2no. 300 x 300mm square areas per Sheffield you are installing with approximately 300mm in depth
2. Insert the included anchors into the holes on the end of each leg
3. Place the cycle stand into the holes and ensure standing completely upright
4. Pour concrete mix into the holes to completely surround the legs at the bottom
5. Smooth out the areas around the base of the legs at the surface
6. Once complete leave the cycle stands to set in the concrete as per the cement manufacturers recommendations

