

Steel Trench Bridge - 1800mm



Item Description:

Aluminium trench bridge, for safe crossing of ditches and canals, galvanized steel frame, with access ramp for wheelchairs, prams, etc. floor cover of anti-slip aluminium checker plate (4/ 5mm) and skirting of aluminium square section and firmly bolted to the supporting construction. The side rails are equipped with red- white- red reflecting stripes. Both railing can be folded down for space- saving transport and storage. This ditch bridge complies with the workplace and ZTV-SA ordinance. Load: 200 kg/ m², Width: 1.00 m, Length: 1.80 m

Designated Purpose:

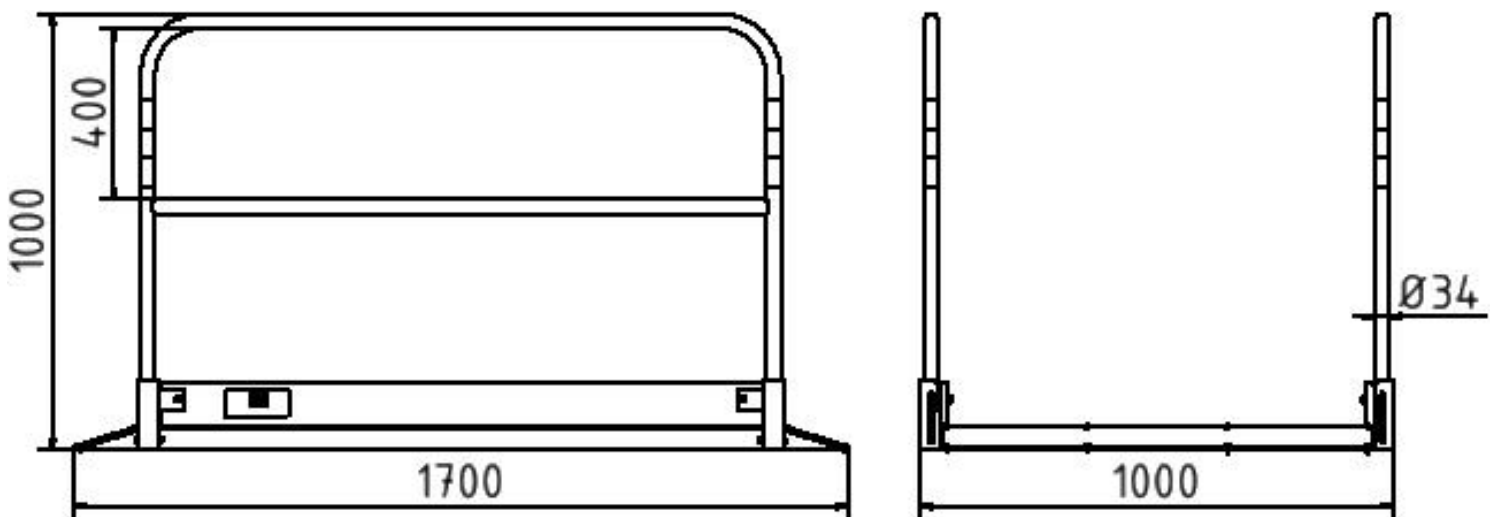
For the application for work in infrastructure building

Technical Specifications:

weight: 54,00 kg/pc

material:
S235 JR & aluminium

surface:
hot dipped galvanized acc. to DIN ISO 1461



Steel Trench Bridge - 2300mm



Item Description:

Aluminium trench bridge, for safe crossing of ditches and canals, galvanized steel frame, with access ramp for wheelchairs, prams, etc. floor cover of anti-slip aluminium checker plate (4/ 5mm) and skirting of aluminium square section and firmly bolted to the supporting construction. The side rails are equipped with red- white- red reflecting stripes. Both railing can be folded down for space- saving transport and storage. This ditch bridge complies with the workplace and ZTV-SA ordinance. Load: 200 kg/ m², Width: 1.00 m, Length: 2.30 m

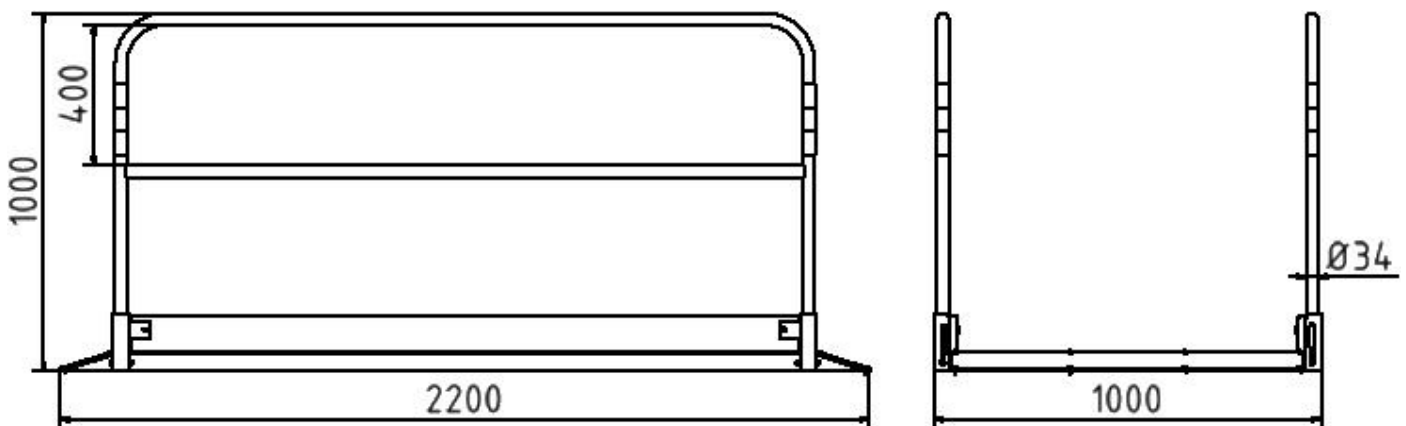
Designated Purpose:

For the application for work in infrastructure building

Technical Specifications:

weight: 67,00 kg/pc
material:
S235 JR & aluminium

surface:
hot dipped galvanized acc. to DIN ISO 1461



Steel Trench Bridge - 2800mm



Item Description:

Aluminium trench bridge, for safe crossing of ditches and canals, galvanized steel frame, with access ramp for wheelchairs, prams, etc. floor cover of anti-slip aluminium checker plate (4/ 5mm) and skirting of aluminium square section and firmly bolted to the supporting construction. The side rails are equipped with red- white- red reflecting stripes. Both railing can be folded down for space- saving transport and storage. This ditch bridge complies with the workplace and ZTV-SA ordinance, Load: 200 kg/ m², Width: 1.00 m, Length: 2.80 m

Designated Purpose:

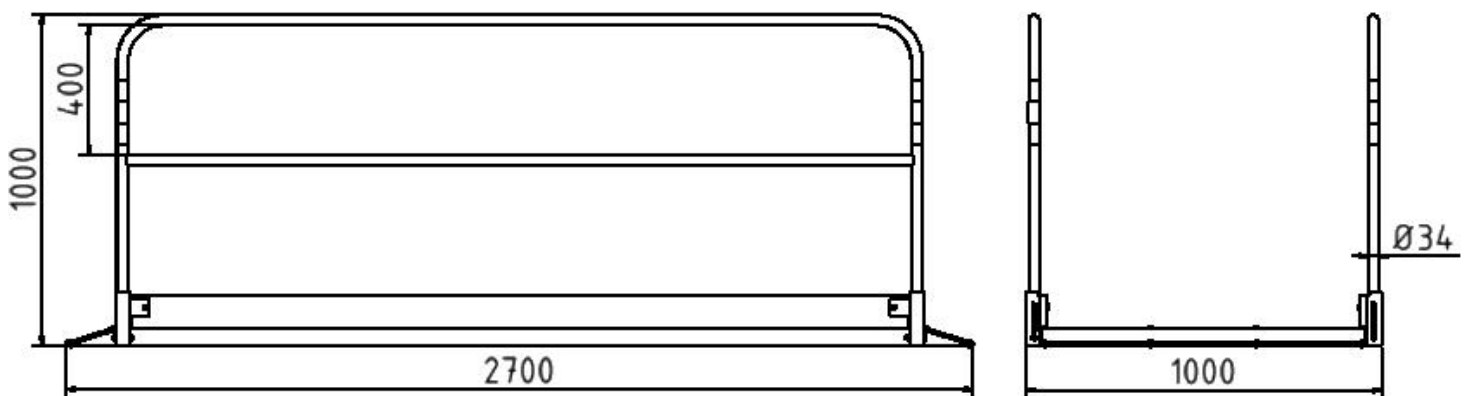
For the application for work in infrastructure building

Technical Specifications:

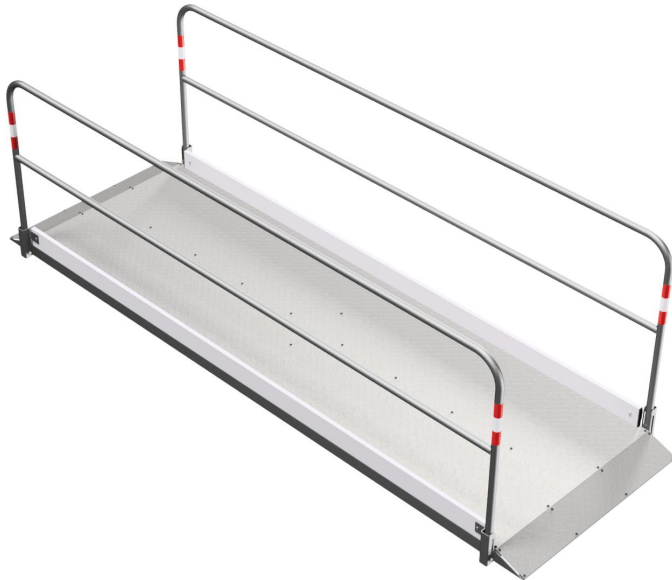
weight: 79,00 kg/pc

material:
S235 JR & aluminium

surface:
hot dipped galvanized acc. to DIN ISO 1461



Steel Trench Bridge - 3300mm



Item Description:

Aluminium trench bridge, for safe crossing of ditches and canals, galvanized steel frame, with access ramp for wheelchairs, prams, etc. floor cover of anti-slip aluminium checker plate (4/ 5mm) and skirting of aluminium square section and firmly bolted to the supporting construction. The side rails are equipped with red- white- red reflecting stripes. Both railing can be folded down for space- saving transport and storage. This ditch bridge complies with the workplace and ZTV-SA ordinance, Load: 200 kg/ m², Width: 1.00 m, Length: 3.30 m

Designated Purpose:

For the application for work in infrastructure building

Technical Specifications:

weight: 92,00 kg/pc
 material:
 S235 JR & aluminium

surface:
 hot dipped galvanized acc. to DIN ISO 1461

