

Product Specification Sheet

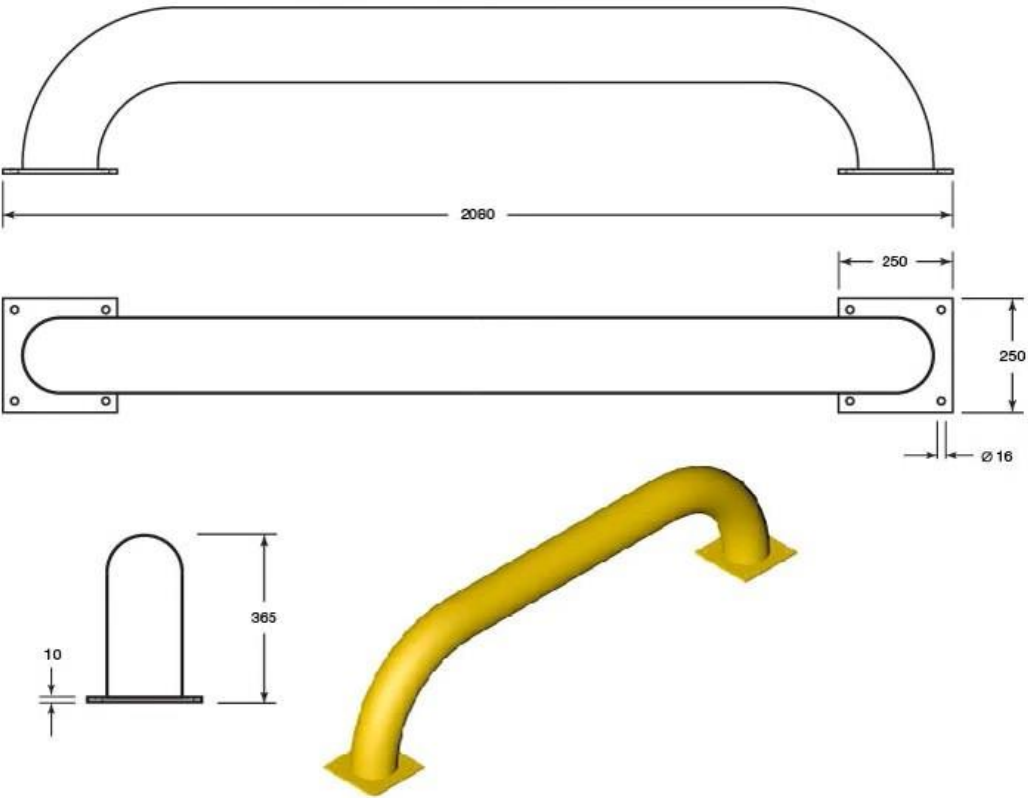
Product name – Straight Wheel Guides Pair



Manufacturer / Brand	Polymer
Warranty	1 year manufacturer's warranty
Material	Hot-dip galvanised steel
Components	2 x single piece guide with base plate
Dimensions	2085(L) x 250(W) x 365(H)mm
Weight	100kg (per pair)
Features	2085(L) x 250(W) x 365(H) Hot-dip galvanised Rust and corrosion resistant Highly visible yellow powder coat Suitable for various types of trucks and HGVs Easy to install - bolt directly into the ground Fixings not included

Ireland:
B2 Athy Business Campus
Athy, Co. Kildare R14 PK74
Ph: 01 531 2777
Email: sales@pittman.ie

United Kingdom:
1310 Solihull Parkway, Birmingham Business Park
Birmingham B37 7YB
Ph: 0121 630 3527
sales@pittman.uk



Ireland:
B2 Athy Business Campus
Athy, Co. Kildare R14 PK74
Ph: 01 531 2777
Email: sales@pittman.ie

United Kingdom:
1310 Solihull Parkway, Birmingham Business Park
Birmingham B37 7YB
Ph: 0121 630 3527
sales@pittman.uk