

Product Specification Sheet

Product name – Sheffield Style Toast Rack Bike

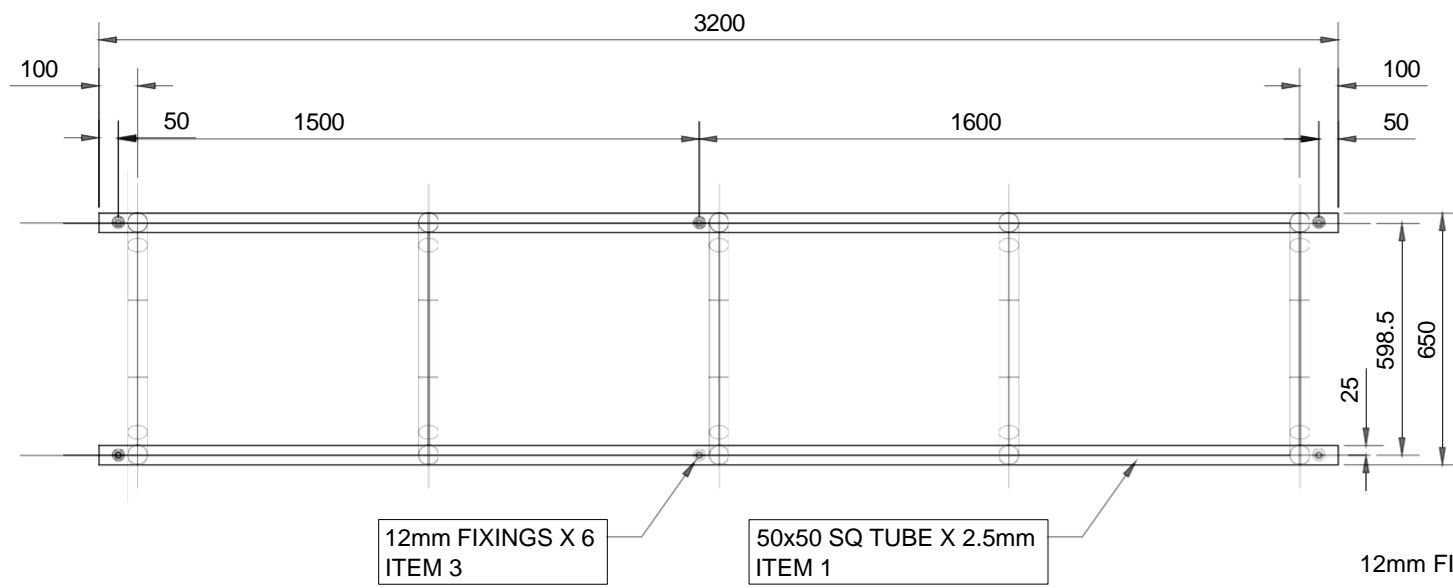
Product code P-895877



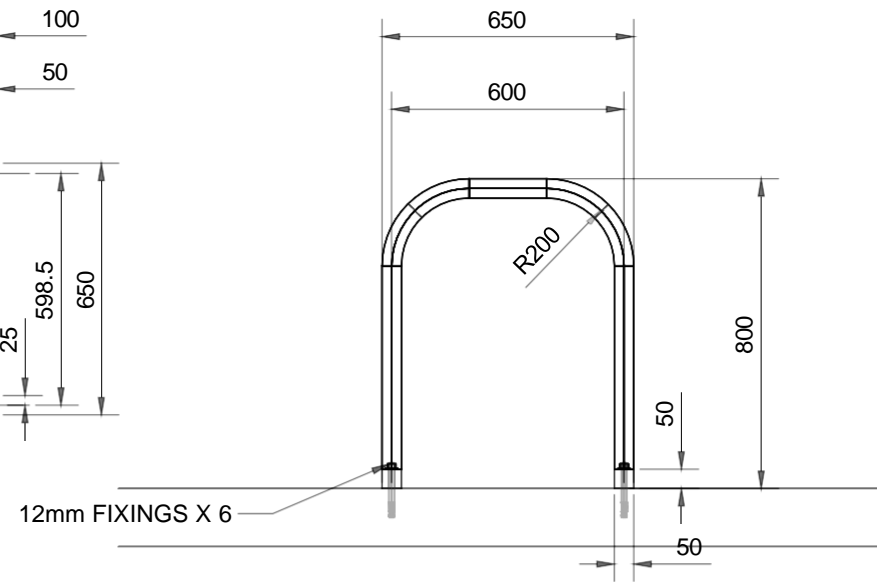
Manufacturer / Brand	Pittman
Warranty	1 Year Manufacturers Warranty
Material	Hot-dip galvanised steel
Components	Fully Welded, single-piece design
Dimensions	3100(L) x 800(H) x 650(W) mm
Weight	20kg
Features	Includes pre-drilled fixing holes for fast installation Storage for up to 10 bikes at once Hot-dip galvanised for excellent rust and corrosion resistance

Ireland:
B2 Athy Business Campus
Athy, Co. Kildare R14 PK74
Ph: 01 531 2777
Email: sales@pittman.ie

United Kingdom:
1310 Solihull Parkway, Birmingham Business Park
Birmingham B37 7YB
Ph: 0121 630 3527
sales@pittman.uk



PLAN VIEW

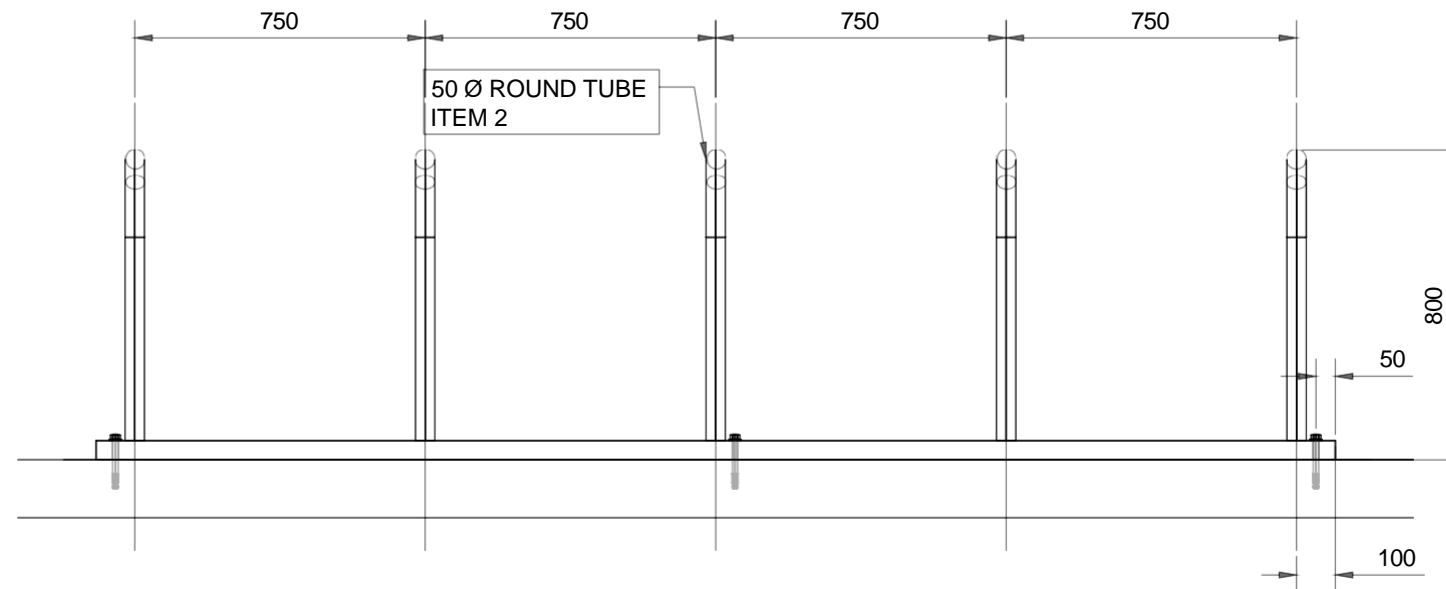
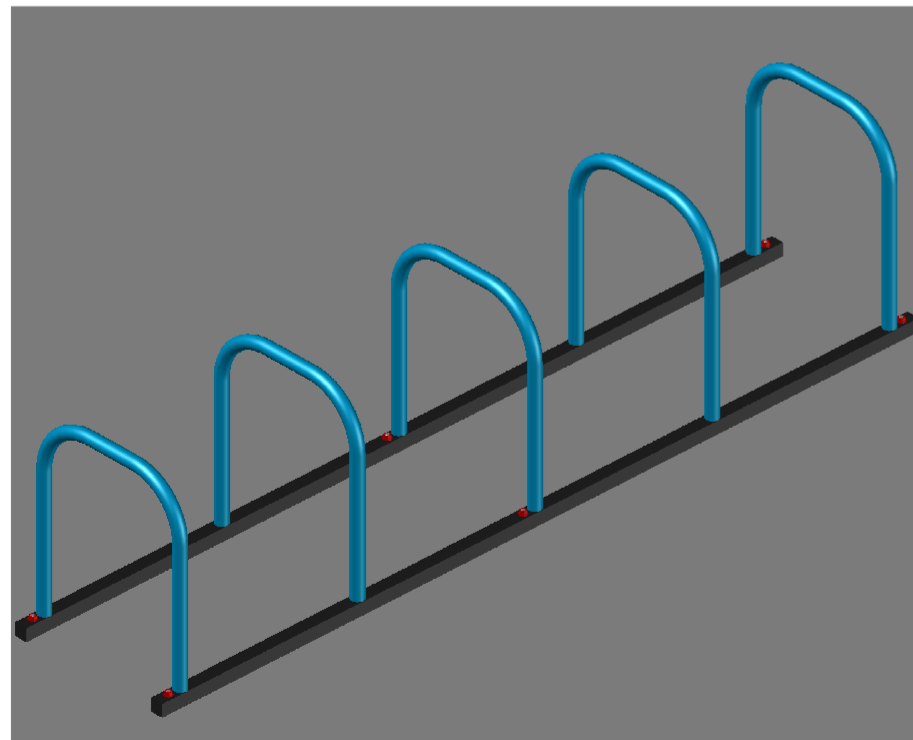


SECTION

NOTES:

1. Material Finish - GALVANISED
2. Do NOT scale, use figured dimensions ONLY.
3. Any discrepancies to be reported to the drawing office immediatly.
- 4.

QUANTITIES & CUTTING LIST				
ITEM	TYPE	QUANTITY	TOTAL	CUT LENGTH
1	50x50 SHS	2	6400	3200
2	50 Dia Pipe	5	11250	2250
3	12mm Fixings	6		



ELEVATION

By:	Chkd.	Drawn:	Date:	Client/Project:
		CRH	06-09-2018	PITTMAN TRAFFIC SAFETY EEQUIPMENT
		Scale:	Checked:	Title
		1=25	IB	SHEFFIELD STYLE STANDARD 5 HEAD TOAST RACK SUITS 10 No. BIKES
		Rev:	Drawing Number	
		A	000-000-003	

