



Credit: Stadtwerke Jena

- For Indoor and Outdoor use
- Strong steel protection
- 'One way' assembly
- Isolates column from impact shock



Collision Protection

TRAFFIC-LINE Column Protectors

These highly versatile Column Protectors provide strong protection for vulnerable columns, exposed pipework etc. against damage by motorised transport.

Easily installed by sliding the cross members into each other and bolting to the ground through the pre-drilled base plates.

Many uses around warehouses, logistics depots, street posts and trees, factories, public buildings and spaces etc.

Specifications:

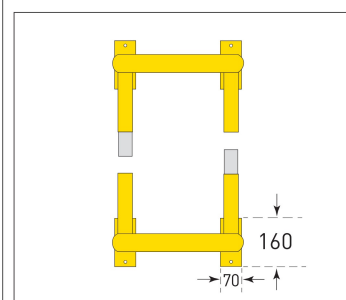
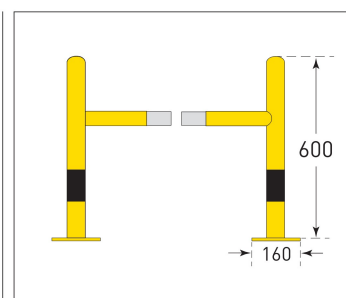
Tube: 60 mm/48 mm Ø
Wall thickness: 2 mm
Fixing plates: 160 x 70 x 10 mm
(Pre-drilled 4 holes)

Finish:

Indoor use only:
Powder coated yellow

Indoor and Outdoor:
Hot Dip Galvanised.
Hot Dip Galvanised and powder coated yellow with black bands.

Standard product is surface mounted with bolts. Sub-surface adapter plates available for root fixing.



Dimensions (mm) H x W x D	Delivery weight (kg/ea.)	Powder Coated only		Hot dip galvanised		Hot dip galvanised and power coated	
		Reference	Typical despatch time (working days)	Reference	Typical despatch time (working days)	Reference	Typical despatch time (working days)
600 x 520 x 520 Internal: 400 x 400	14.5	200.26.557	5 / 10 days	200.22.925	5 / 10 days	200.20.623	5 / 10 days
600 x 620 x 620 Internal: 500 x 500	16	200.28.694		200.29.787		200.23.561	
600 x 720 x 720 Internal: 600 x 600	17.5	200.24.782		200.26.195		200.29.660	
Sub-surface adapter (4 per guard)						200.20.157	1 / 2 days
Through bolt anchor (8 per guard)						109.24.665	
Surface fixing bolt S14 (8 per guard)						109.17.393	