

VISTA BIKE SHELTER DOUBLE (GLASS/SHEET ROOFING)

OVERVIEW

The Vista Double Bike Shelter range is designed to provide durable bicycle protection and high-capacity cycle parking in public, commercial, and residential environments. Combining robust steel construction with tempered safety glass or trapezoidal sheet roofing options, it offers a reliable solution for secure bicycle storage while maximising parking capacity on both sides of the shelter. The structure is manufactured from steel profiles and protected through hot-dip galvanisation for excellent resistance to damage and adverse weather conditions. Optional side walls and extension modules provide added flexibility for larger cycle parking layouts.

Its robust construction resists wear and tear, ensuring dependable performance in busy urban and workplace environments. The high-quality finish provides long-term weather protection while maintaining a low-maintenance design. The structure can also be powder coated in a choice of RAL colours to suit project-specific requirements.

pittman[®]

FEATURES

- Robust steel construction with hot-dip galvanised protection for long-lasting durability.
- Choice of tempered safety glass or trapezoidal sheet roofing options.
- Optional side walls and extension modules for larger cycle parking layouts.
- Double-sided design maximises bicycle parking capacity.

TECHNICAL DATA



SPECIFICATION

Product Code

Height 2480 mm 2520 mm

Length 3940 mm 3940 mm

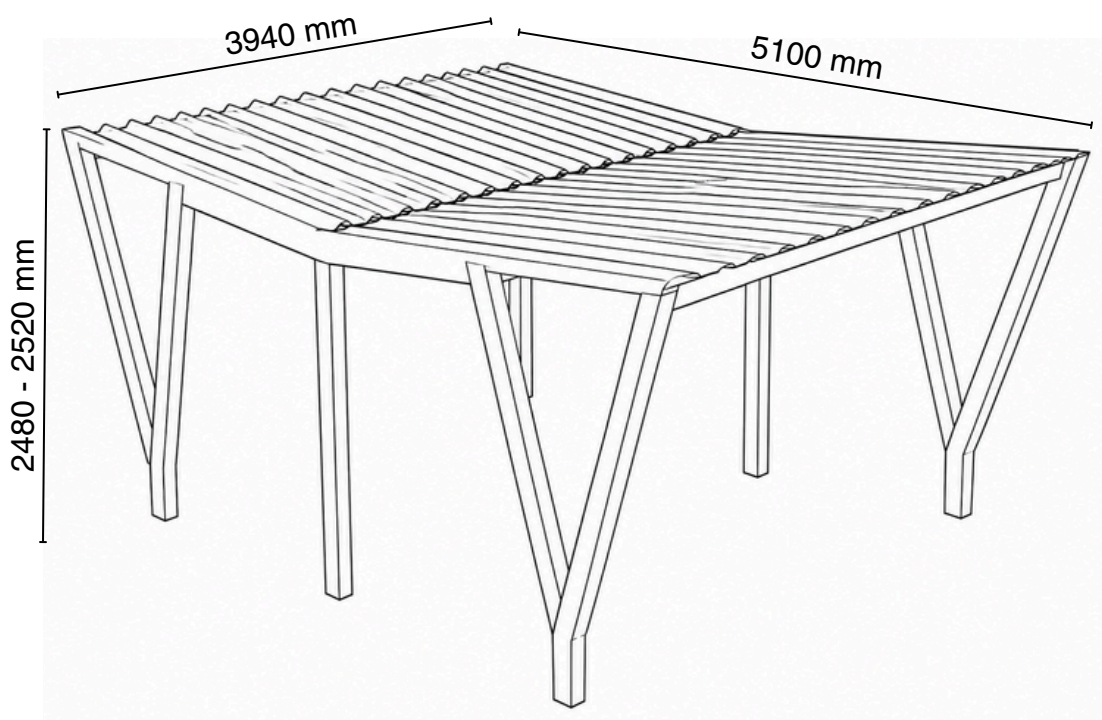
Width 5100 mm 5100 mm

Frame Material Hot-dip galvanised steel

Roof Material Tempered safety glass Trapezoidal sheet roofing

Color Powder coating available in selected RAL colours

DRAWINGS



ROOFING OPTIONS



Tempered safety glass



Trapezoidal sheet roofing

WALL OPTIONS



Side Wall (tempered glass)



Side Walls (tempered glass/perforated sheet)

EXTENSION OPTION

