

VISTA BIKE SHELTER SINGLE (GLASS/SHEET ROOFING)

pittman[®]

OVERVIEW

The Vista Bike Shelter range is designed to provide durable bicycle protection in public, commercial, and residential environments. Combining robust steel construction with tempered safety glass or trapezoidal sheet roofing options, it offers a reliable solution for secure bicycle storage while enhancing surrounding spaces. The shelter structure is manufactured from steel profiles and protected through hot-dip galvanisation for excellent resistance to damage and adverse weather conditions. Optional side walls and extension modules provide added flexibility for larger cycle parking layouts.

Its robust construction resists wear and tear, ensuring dependable performance in busy urban and workplace environments. The high-quality finish provides long-term weather protection while maintaining a low-maintenance design. The structure can also be powder coated in a choice of RAL colours to suit project-specific requirements.

FEATURES

- Robust steel construction with hot-dip galvanised protection for long-lasting durability.
- Choice of tempered safety glass or trapezoidal sheet roofing options.
- Optional side walls and extension modules for larger cycle parking layouts.
- Suitable for workplaces, schools, public spaces, and commercial developments.

TECHNICAL DATA



SPECIFICATION

Product Code

Height 2450 mm 2560 mm

Length 3900 mm 3900 mm

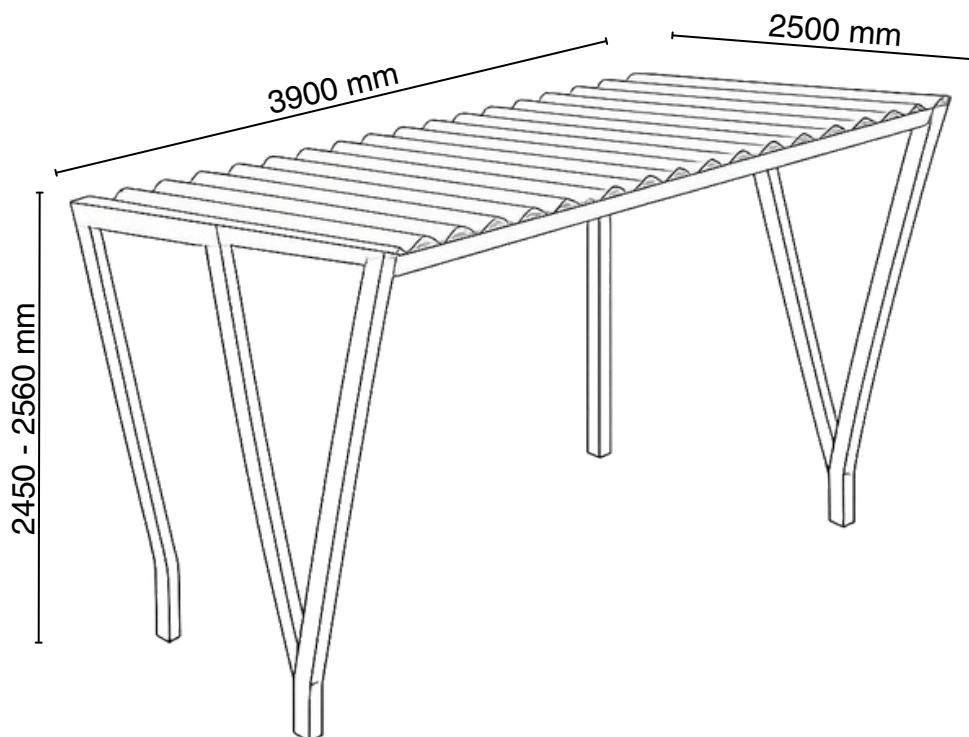
Width 2500 mm 2500 mm

Frame Material Hot-dip galvanised steel

Roof Material Tempered safety glass Trapezoidal sheet roofing

Color Powder coating available in selected RAL colours

DRAWINGS



ROOFING OPTIONS



Tempered safety glass



Trapezoidal sheet roofing

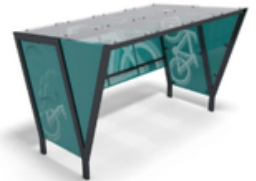
WALL OPTIONS



Rear Wall



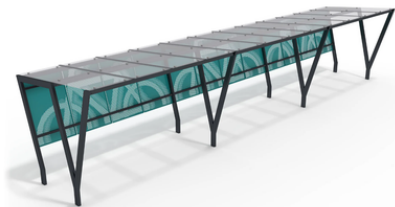
Rear and Side Walls



EXTENSION OPTIONS



+1 Extension



+2 Extension



+3 Extension