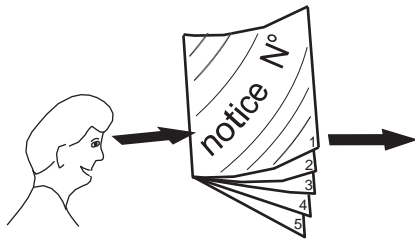


1



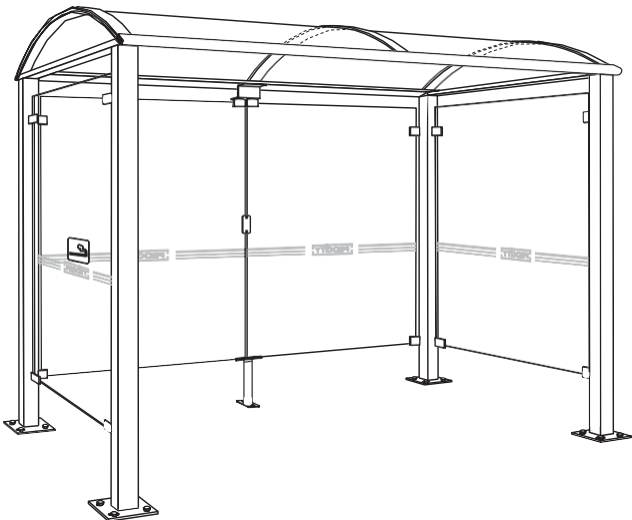
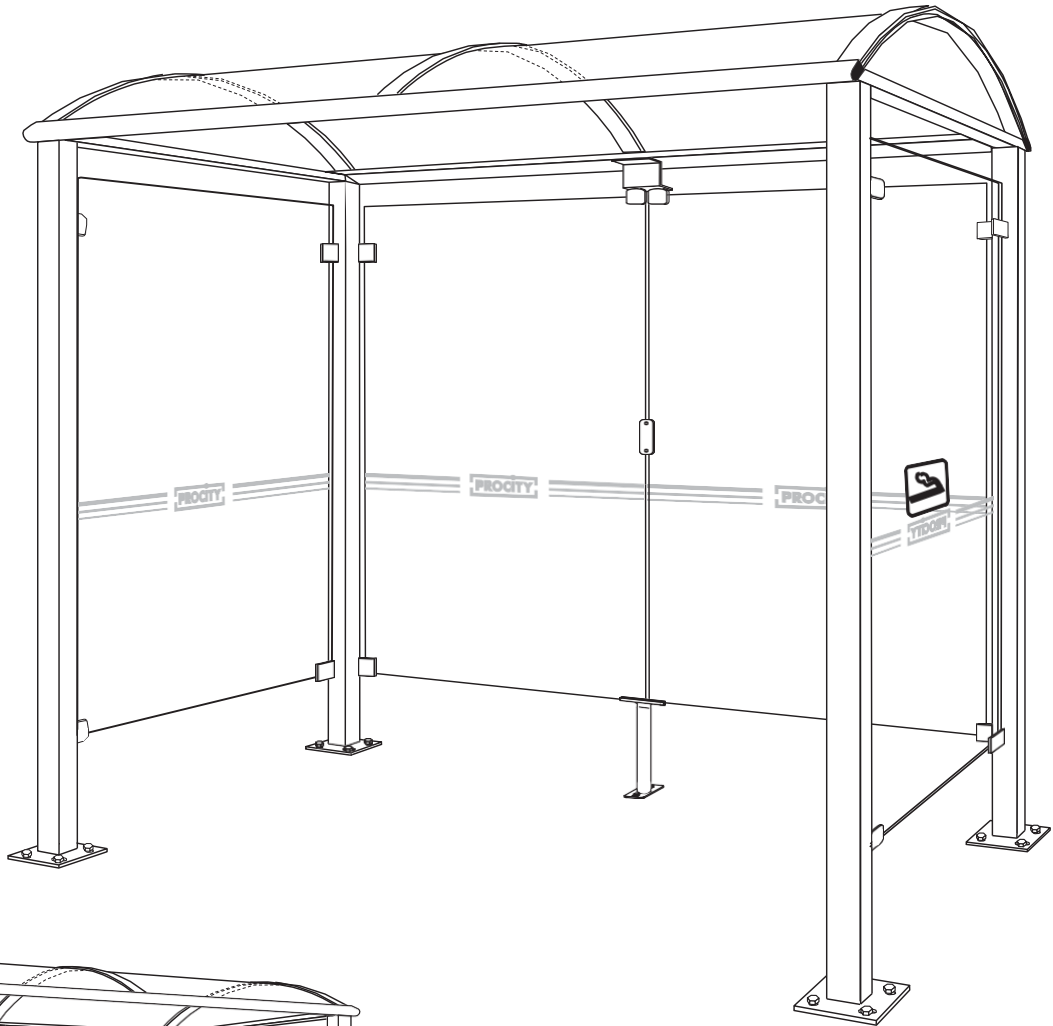
- 1) N°NOT148
- 2) N°NOT612
- 3) N°NOT461
- 4) N°NOT465
- 5) N°NOT468
- 6) N°NOT474

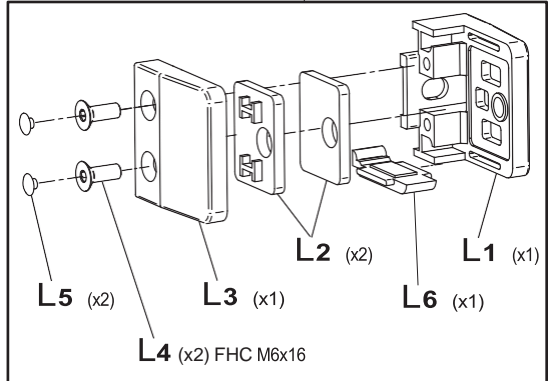
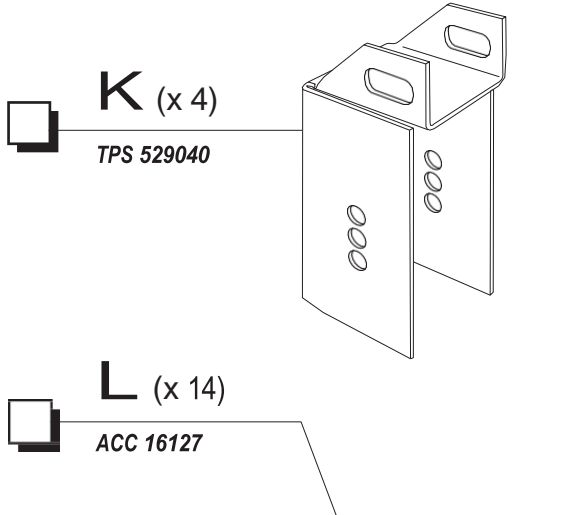
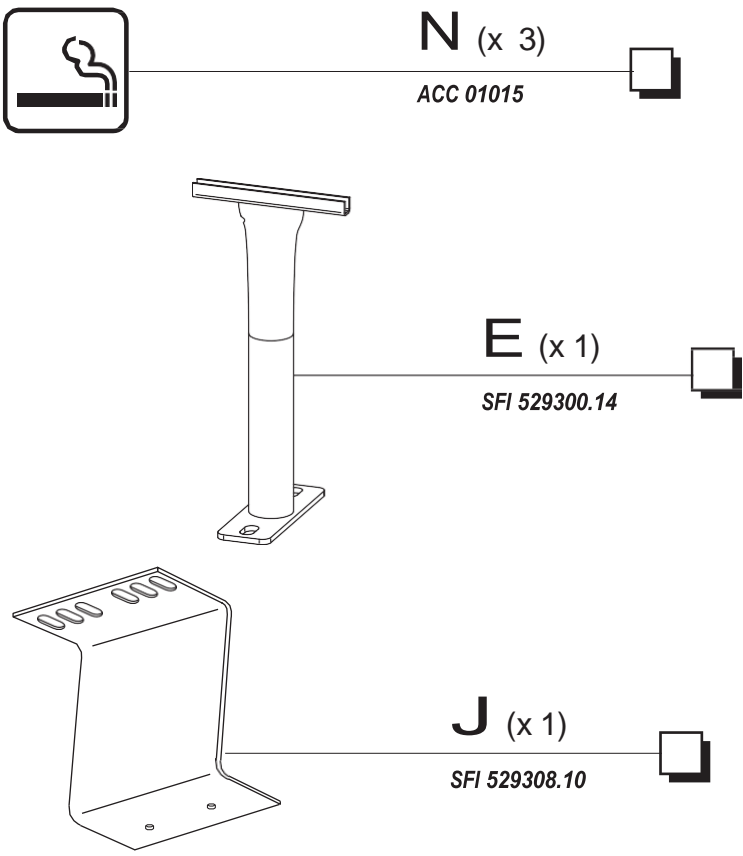
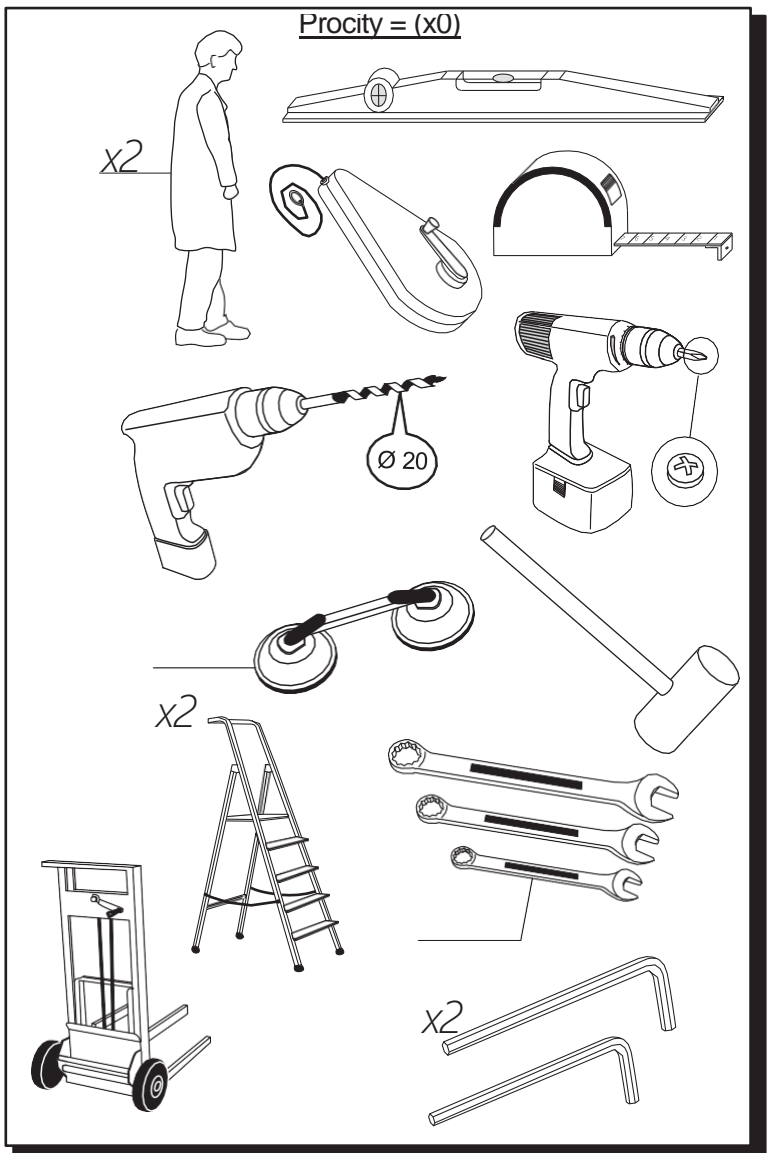
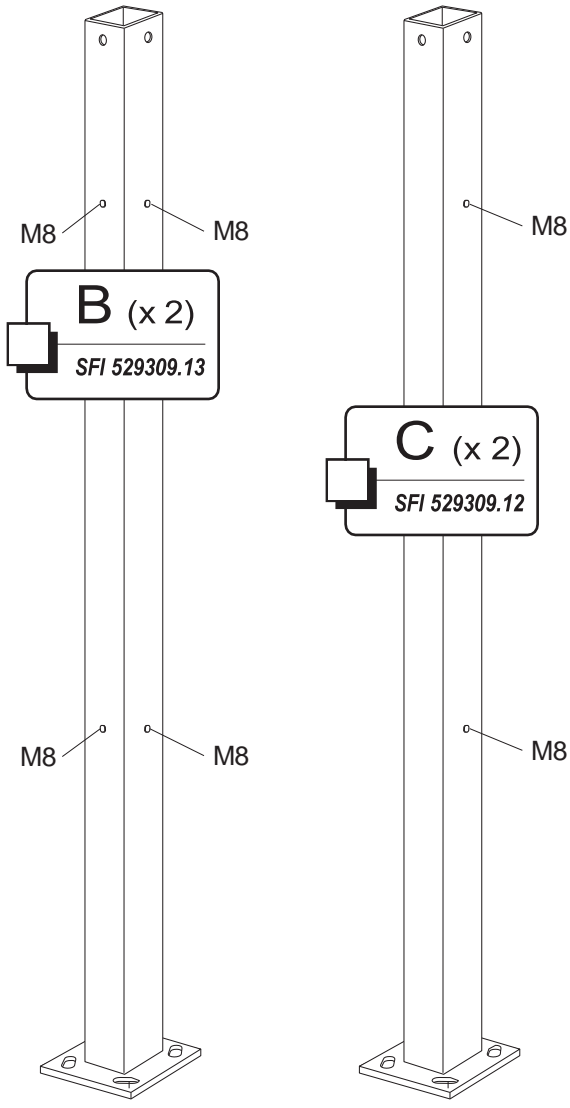


**pittman**<sup>®</sup>

## **Classic Smoking Shelter - 2520 x 1560 - Réf. 529372**

80 x 80 mm posts, rear cladding, 2 side cladding

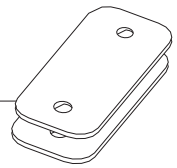




**Y1** (x 4)  
ATE 529210



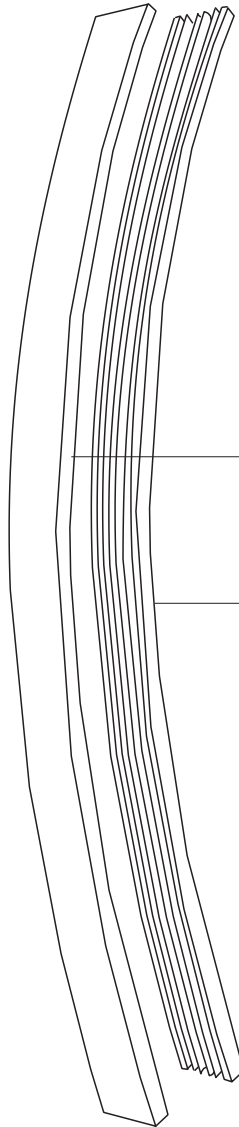
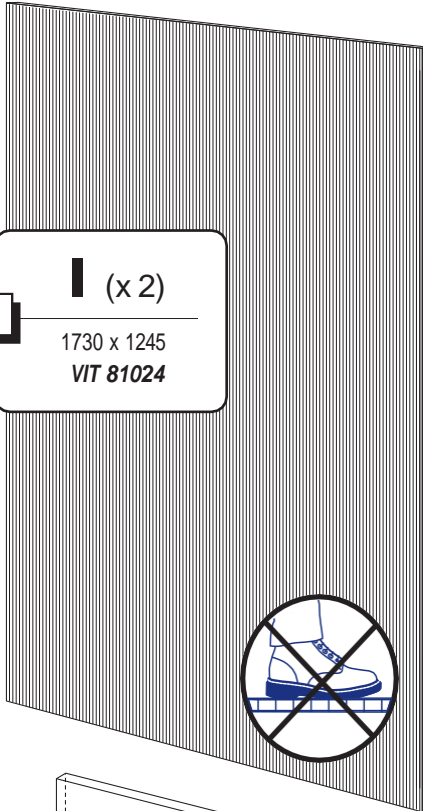
(x 1)  
SFI 529301.B > **N° NOT474**



**M** (x 2)  
2500  
529300.G

**Y** (x 2)  
2500  
529040.01

**I** (x 2)  
1730 x 1245  
VIT 81024

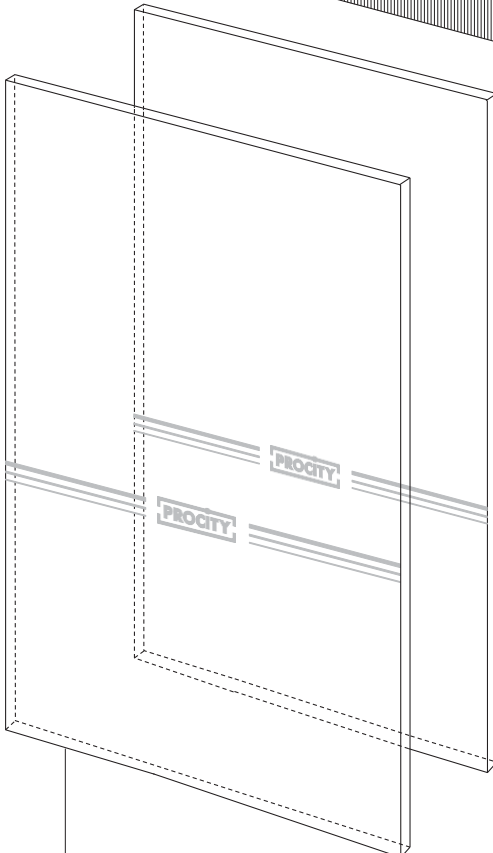
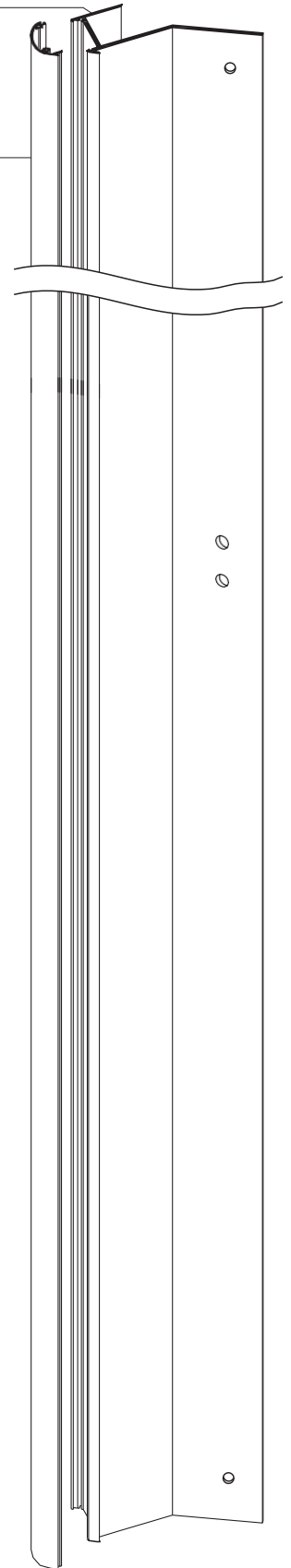
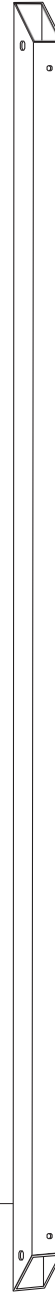


**F1** (x 3)  
ATE 529300.E

**F2** (x 3)  
ATE 529300.D

**H** (x 2)  
60x40x1600  
ATE 529300.F

**O** (x 2)  
1860 x 1154  
VIT 81123.02



**P** (x 2)  
1860 x 1355  
VIT 81125.02

