

TECHNICAL SPECIFICATIONS

Internal dimensions: Length 700 mm & length 1400 mm.
Depth: 1000 mm.

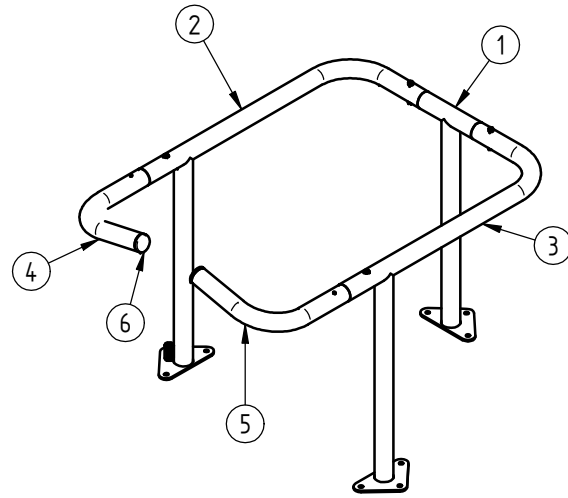
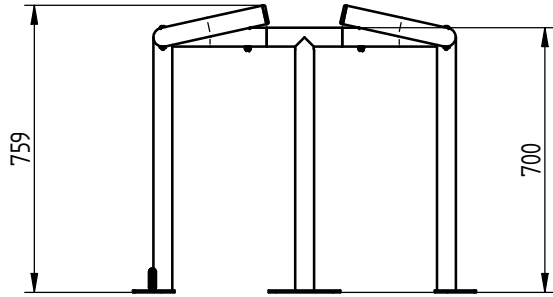
Galvanised Ø 50 mm steel tube.

Integrated swivel opening system for simple and intuitive usage.

Compatible with most standards wheelie bin sizes.

Mounted on 5 mm base plates.





X	N°	Référence	Qté	Description
	8	ACC04981	2	Ecrou M8 frein bague nylon A2
	7	ACC22131	2	Vis CHC M8x60 A2-70
	6	ACC05046	2	Embout plastique Ø50 Noir
	5	SFI208093-E	1	CROSSE ROTATIVE DROITE
	4	SFI208093-D	1	CROSSE ROTATIVE GAUCHE
	3	SFI208093-B	1	PIED DROIT DE BLOQUE CONTENEUR
	2	SFI208093-A	1	PIED GAUCHE DE BLOQUE CONTENEUR
	1		1	PIED DE FOND DE BLOQUE CONTENEUR

