



Product Specification Sheet

Product name – Eco Bike Shelter

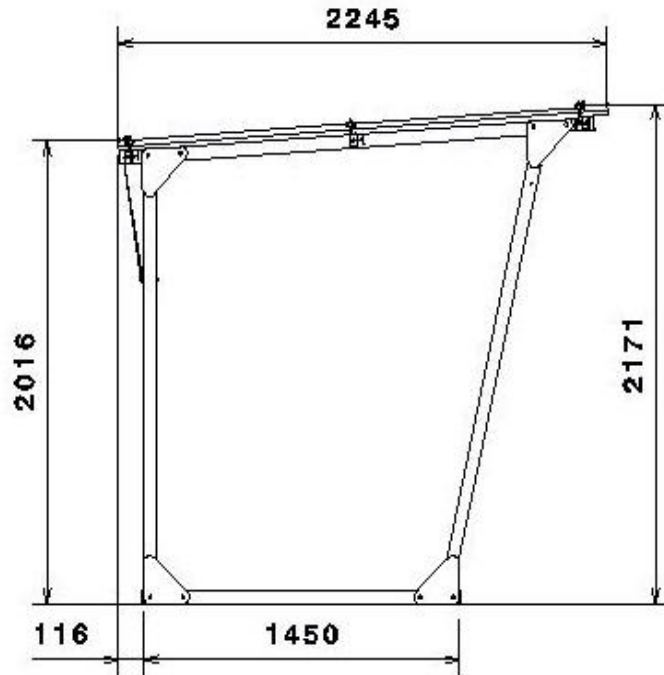
Product code *Model*

712116 *Bike Shelter*

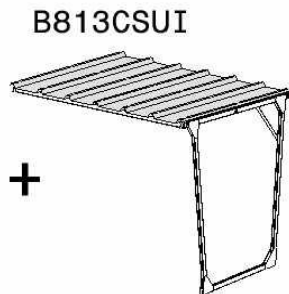
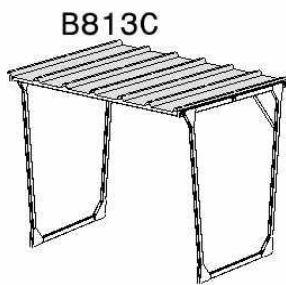
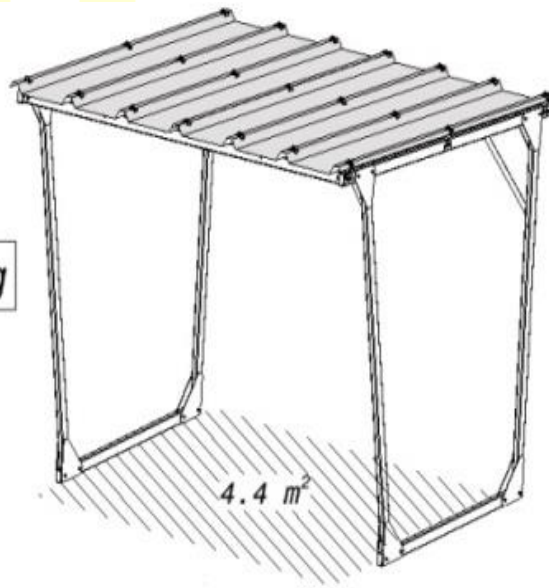
712117 *Bike Shelter- Extension 1970mm*



Manufacturer / Brand	Mottez
Warranty	1 Year manufacturer's warranty
Material	Galvanised steel frame with corrugated steel roof
Components	Main bike shelter frame Corrugated steel roof Optional bike shelter extension
Dimensions	1970(L) x 2245(D) x 2171(H) mm 60 x 30 mm Ø tube
Features	Lightweight steel design Easy installation – flat-packed Optional extension – extend by extra 1970mm at a time Infinite extensions possible if required Bolt down fast – fixings not included 4.4m ² covered area



63 Kg



+

